

4

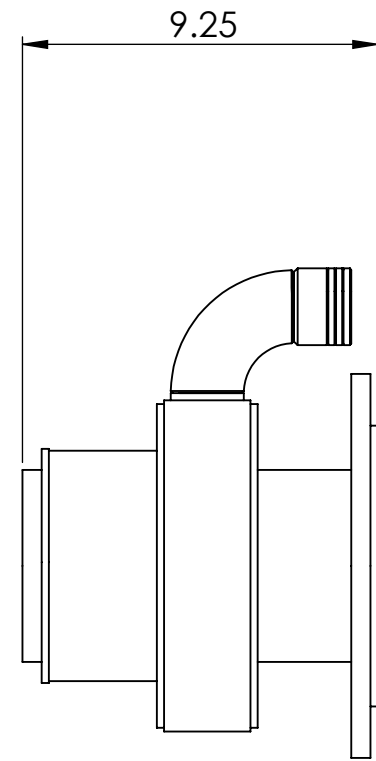
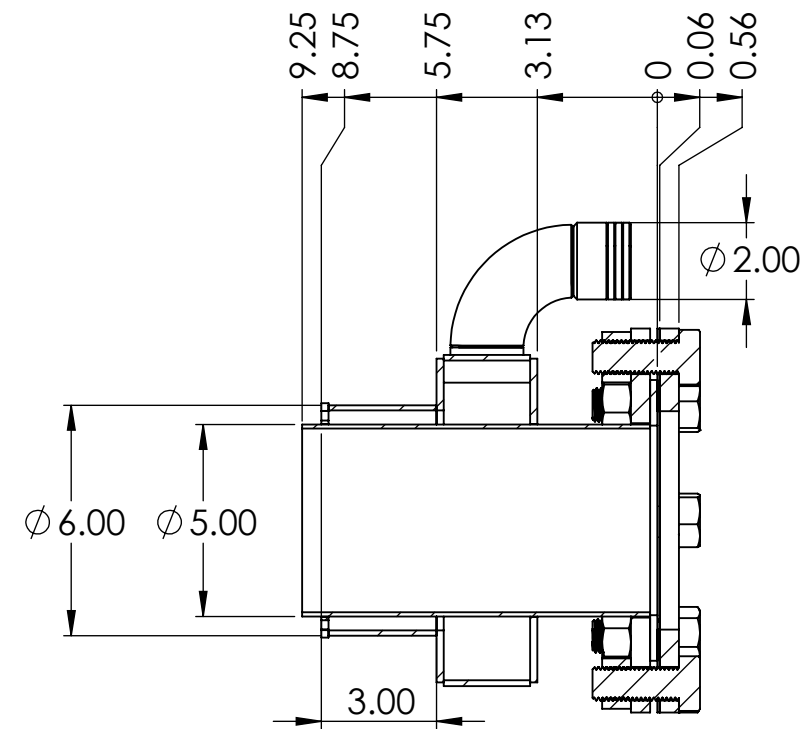
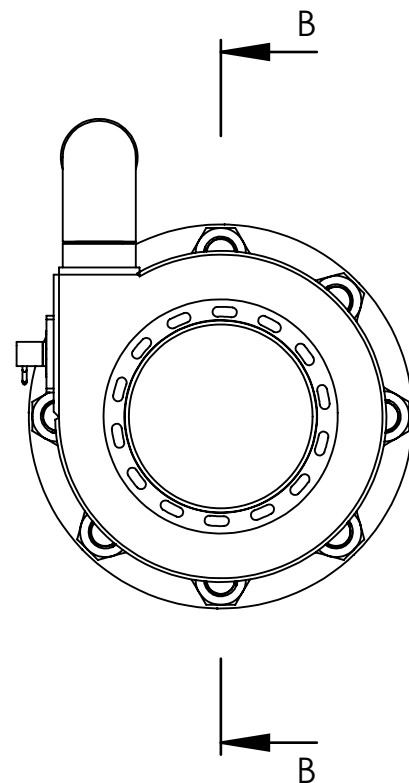
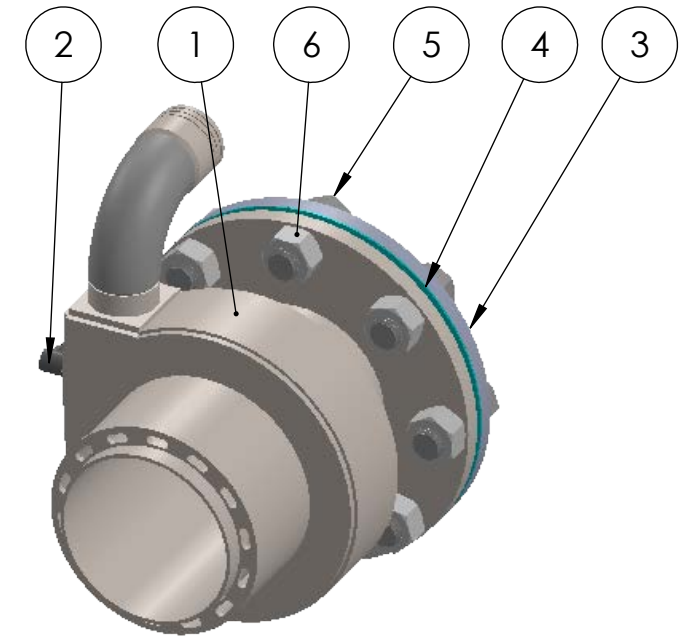
3

2

1

ITEM NO.	PART NUMBER	DESCRIPTION	Revision	QTY.
1	PA10552	MIXING CAN, WET EXHAUST. STRAIGHT. 6" TUBE OUTLET, 5" TUBE INLET W/ FLOATING 150# ANSI PATTERNED FLANGE. 2" TUBE SEAWATER INLET, CLOCKED TO INLET FLANGE. 316L, PICKLED AND POLISHED	A	1
2	34625A	THERMOSTAT, SNAP DISK STYLE.		1
3	5PBF 33026	FLANGE, EXHAUST 5" PIPE, ANSI		1
4	5GHT	GASKET, EXHAUST, 5PBF, 5" PIPE BORE FLANGE, 150# ANSI PATTERN	A	1
5	0.875 X 9 X 2.25, HEX HEAD, GRADE 2, PLAIN FINISH, EXHAUST BOLT	LOW STRENGTH HEX HEAD EXHAUST BOLT, OILED	A	8
6	0.875 X 9, HEX NUT, GRADE 2, PLAIN FINISH, OILED, EXHAUST BOLT	90490A037_Low-Strength Steel Hex Nut	A	8

REVISIONS				
ZONE	REV.	DESCRIPTION	DATE	APPROVED
	A	IPR	9/22/2021	System Administrator



SECTION B-B



UNLESS OTHERWISE SPECIFIED:		NAME	DATE	DWG. NO. EX10015	
DIMENSIONS ARE IN INCHES		DRAWN BY: TA TA	09/22/2021	TITLE: MIXING CAN, WET EXHAUST. STRAIGHT. 6" TUBE OUTLET, 5" TUBE INLET W/ FLOATING 150# ANSI PATTERNED FLANGE. 2" TUBE SEAWATER INLET, CLOCKED TO INLET FLANGE. 316L, PICKLED AND POLISHED. INCLUDES 34625 TEMP SWITCH, COMPANION FLANGE, AND HARDWARE.	
TOLERANCES: FRACTIONAL ±1/32 ANGULAR: MACH ±1 BEND ±1 TWO PLACE DECIMAL ±.030 THREE PLACE DECIMAL ±.005		APPROVED BY: System Administrator	09/22/2021		
PROPRIETARY AND CONFIDENTIAL		MATERIAL: 316L SS	REV A		
THE INFORMATION CONTAINED IN THIS DRAWING IS THE SOLE PROPERTY OF MER EQUIPMENT. ANY REPRODUCTION IN PART OR AS A WHOLE WITHOUT THE WRITTEN PERMISSION OF MER EQUIPMENT IS PROHIBITED.		FINISH:	SIZE B PART NO. EX10015		
		WEIGHT: 37 LBS	DO NOT SCALE DRAWING SHEET 1 OF 1		
		COMMENTS			

4

3

2

1