

4

3

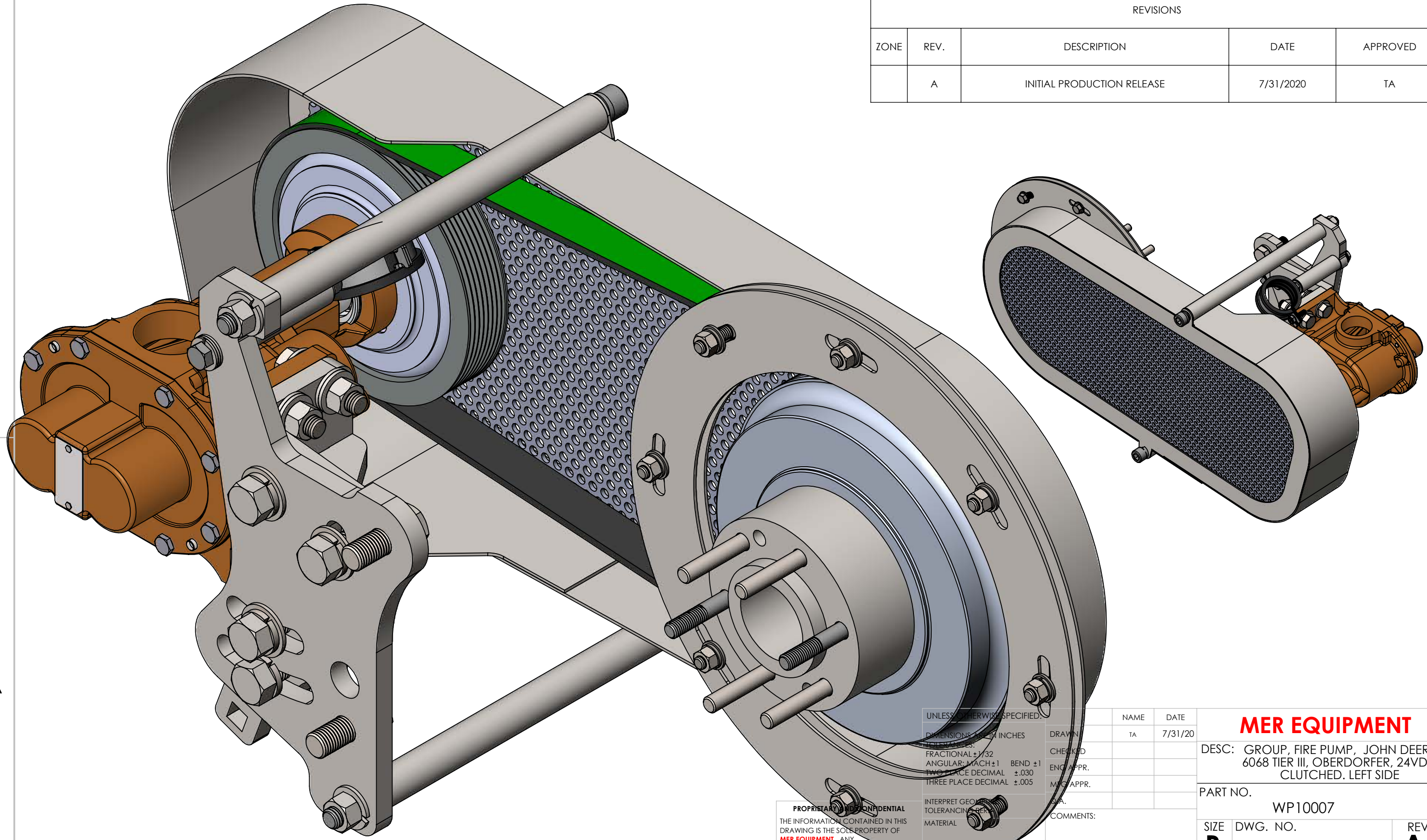
2

1

| REVISIONS |      |                            |           |          |
|-----------|------|----------------------------|-----------|----------|
| ZONE      | REV. | DESCRIPTION                | DATE      | APPROVED |
|           | A    | INITIAL PRODUCTION RELEASE | 7/31/2020 | TA       |

B

B



A

A

UNLESS OTHERWISE SPECIFIED:

DIMENSIONS ARE IN INCHES  
 TOLERANCES:  
 FRACTIONAL  $\pm 1/32$   
 ANGULAR: MACH  $\pm 1$  BEND  $\pm 1$   
 TWO PLACE DECIMAL  $\pm .030$   
 THREE PLACE DECIMAL  $\pm .005$

INTERPRET GEOM.  
 TOLERANCING PER  
 MATERIAL FINISH

DO NOT SCALE DRAWING

| NAME | DATE    |
|------|---------|
| TA   | 7/31/20 |

DRAWN  
 CHECKED  
 ENG APPR.  
 MFG APPR.  
 SA.  
 COMMENTS:

**MER EQUIPMENT**

DESC: GROUP, FIRE PUMP, JOHN DEERE  
 6068 TIER III, OBERDORFER, 24VDC  
 CLUTCHED, LEFT SIDE

PART NO.  
 WP10007

|          |             |          |
|----------|-------------|----------|
| SIZE     | DWG. NO.    | REV      |
| <b>B</b> | WP10007-DRA | <b>A</b> |

SCALE: 1:5 WEIGHT: SHEET 1 OF 2

**PROPRIETARY AND CONFIDENTIAL**  
 THE INFORMATION CONTAINED IN THIS  
 DRAWING IS THE SOLE PROPERTY OF  
**MER EQUIPMENT**. ANY  
 REPRODUCTION IN PART OR AS A WHOLE  
 WITHOUT THE WRITTEN PERMISSION OF MER  
 EQUIPMENT IS PROHIBITED.

4

3

2

1

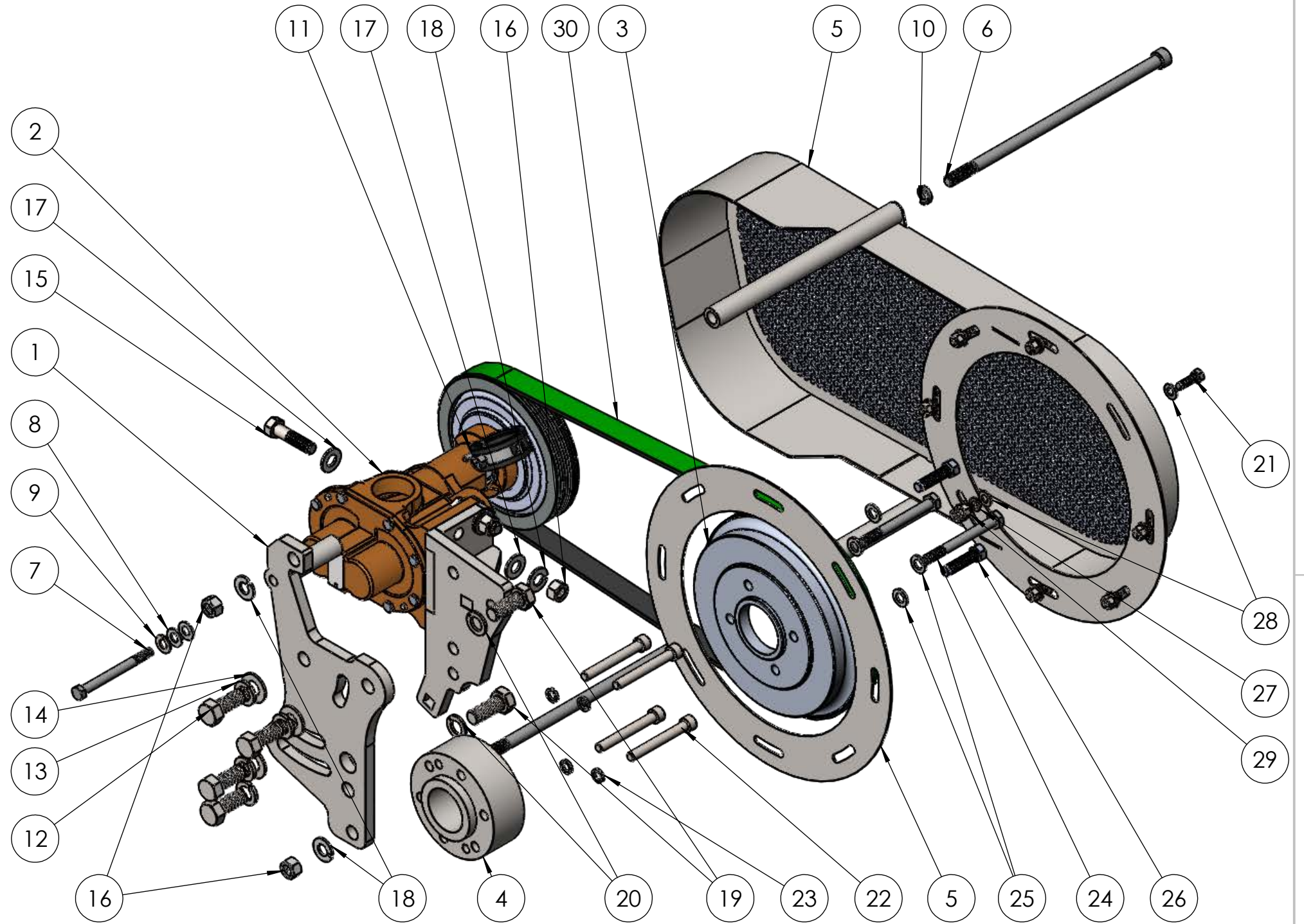
4

3

2

1

| ITEM NO. | PART NUMBER   | Revision | DESCRIPTION   | QTY. |
|----------|---|----------|---|------|
| 1        | PA10500   | A        | BRACKET, FIRE PUMP, OBERDORFER N13 W/CLUTCH PULLEY, 6068 TIER 3 LEFT SIDE MOUNT                           | 1    |
| 2        | N13HDM With clutched 8 Groove Poly V, K section         |          |   | 1    |
| 3        | 34424B  |          | FLYWHEEL, BILLET ALUMINUM. SPICER 1410 TO SAE 6.5 FLYWHEEL, WITH K SECTION POLY-VEE BELT SHEAVE           | 1    |
| 4        | 34884   | B        | ADAPTER, SPACER FOR SPICER BOLT PATTERN, JD6068AFM, JD6068SFM, PROPULSION. FOR USE WITH OPTION CODE 6812. | 1    |
| 5        | PA10512   |          | BELT GUARD, FIRE PUMP KIT, WP10007, 6068 T3M PROP ENGINES.  | 1    |
| 6        | 0.500-13 X 12.00, SHCS, ASTM A574, BLACK OXIDE FINISH   |          | 91251A741_BLACK-OXIDE ALLOY STEEL SOCKET HEAD SCREW   | 2    |
| 7        | 3/8"-16 X 2-1/4", HEX HEAD, GRADE 8, ZINC PLATED        |          | SHOP SUPPLIES   | 1    |
| 8        | 3/8" FLAT WASHER, GRADE 8, ZINC PLATED                  |          | SHOP SUPPLIES   | 2    |
| 9        | 3/8" LOCK WASHER, GRADE 8, ZINC PLATED                  |          | SHOP SUPPLIES   | 1    |
| 10       | 0.500 HI-LOK WASHER, 18-8 SS                            |          | 94241A320_TYPE 316 STAINLESS STEEL SPLIT LOCK WASHER  | 2    |
| 11       | 2615T17   |          | HANGER CLAMP, VIBRATION DAMPING, 2" MCMMASTER   | 1    |
| 12       | HBOLT 0.6250-11x1.5x1.5-S                               |          | SHOP SUPPLIES   | 4    |
| 13       | 0.6250, LOCK WASHER, GRADE 8, ZINC PLATED               |          |   | 4    |
| 14       | 0.6250, FLAT WASHER, GRADE 8, ZINC PLATED               |          |   | 3    |
| 15       | 1/2"-13, HEX HEAD, GRADE 8, ZINC PLATED                 |          | SHOP SUPPLIES   | 4    |
| 16       | 1/2"-13, HEX NUT, GRADE 8, ZINC PLATED                  |          | SHOP SUPPLIES   | 6    |
| 17       | 1/2" FLAT WASHER, GRADE 8, ZINC PLATED                  |          | SHOP SUPPLIES   | 8    |
| 18       | 1/2", LOCK WASHER, 18-8 SS                              |          | SHOP SUPPLIES   | 6    |
| 19       | M16 X 2.00 X 40, HEX HEAD, CLASS 10.9, ZINC PLATED      |          | SHOP SUPPLIES   | 2    |
| 20       | M16, LOCK WASHER, CLASS 10.9, ZINC PLATED               |          | SHOP SUPPLIES   | 2    |
| 21       | 5/16"-18 X 1", HEX HEAD, 18-8 SS, PLAIN FINISH          |          | SHOP SUPPLIES   | 8    |
| 22       | M10x1.5 x 80 MM, SHCS, CLASS 12.9, PLAIN FINISH         |          | SHOP SUPPLIES   | 4    |
| 23       | M10, LOCK WASHER, HI-LOK, CLASS 12.9, BLACK OXIDE       |          | SHOP SUPPLIES   | 4    |
| 24       | M10 X 1.50 X 100, HEX HEAD, CLASS 10.9, YELLOW CHROMATE |          | 95327A652_HIGH-STRG ZINC YELLOW-CHROMATE PLTD CAP SCREW   | 2    |
| 25       | M10, FLAT WASHER, CLASS 10.9, ZINC PLATED               |          | SHOP SUPPLIES   | 4    |
| 26       | 7/16"-20 X 1", HEX HEAD, GRADE 8, ZINC PLATED           |          | SHOP SUPPLIES   | 2    |
| 27       | 5/16" LOCK WASHER, 18-8 SS, PLAIN FINISH                |          | SHOP SUPPLIES   | 8    |
| 28       | 5/16" FLAT WASHER, 18-8 SS, PLAIN FINISH                |          | SHOP SUPPLIES   | 16   |
| 29       | 5/16"-18, HEX NUT, 18-8 SS, PLAIN FINISH                |          | SHOP SUPPLIES   | 8    |
| 30       | K080580HD   |          | BELT, GATES FLEET RUNNER MICRO-V. 1476MM, 8-RIB, K PROFILE  | 1    |



| UNLESS OTHERWISE SPECIFIED:          |  | NAME      | DATE       |
|--------------------------------------|--|-----------|------------|
| DIMENSIONS ARE IN INCHES             |  | DRAWN     | TA 7/31/20 |
| TOLERANCES:                          |  | CHECKED   |            |
| FRACTIONAL ±1/32                     |  | ENG APPR. |            |
| ANGULAR: MACH ±1 BEND ±1             |  | MFG APPR. |            |
| TWO PLACE DECIMAL ±.030              |  | Q.A.      |            |
| THREE PLACE DECIMAL ±.005            |  | COMMENTS: |            |
| INTERPRET GEOMETRIC TOLERANCING PER: |  |           |            |
| MATERIAL                             |  |           |            |
| FINISH                               |  |           |            |
| DO NOT SCALE DRAWING                 |  |           |            |

**PROPRIETARY AND CONFIDENTIAL**  
 THE INFORMATION CONTAINED IN THIS DRAWING IS THE SOLE PROPERTY OF <INSERT COMPANY NAME HERE>. ANY REPRODUCTION IN PART OR AS A WHOLE WITHOUT THE WRITTEN PERMISSION OF MER EQUIPMENT IS PROHIBITED.

**MER Equipment**

DESC: GROUP, FIRE PUMP, JOHN DEERE 6068 TIER III, OBERDORFER, 24VDC CLUTCHED. LEFT SIDE

PART NO. WP10007

|               |                      |              |
|---------------|----------------------|--------------|
| SIZE <b>B</b> | DWG. NO. WP10007-DRA | REV <b>A</b> |
|---------------|----------------------|--------------|

SCALE: 1:5 WEIGHT: SHEET 2 OF 2

4

3

2

1

B

B

A

A