

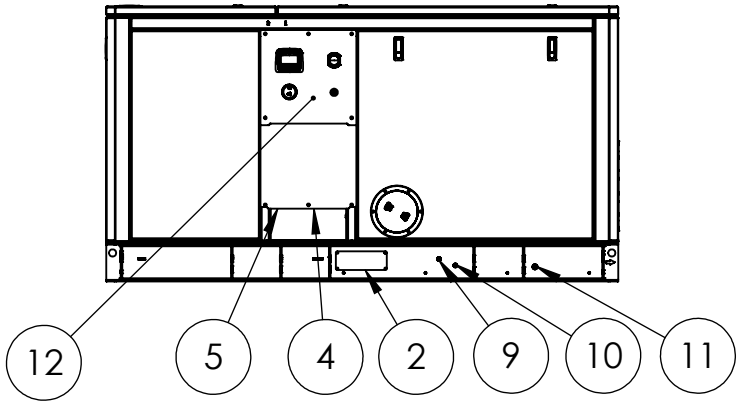
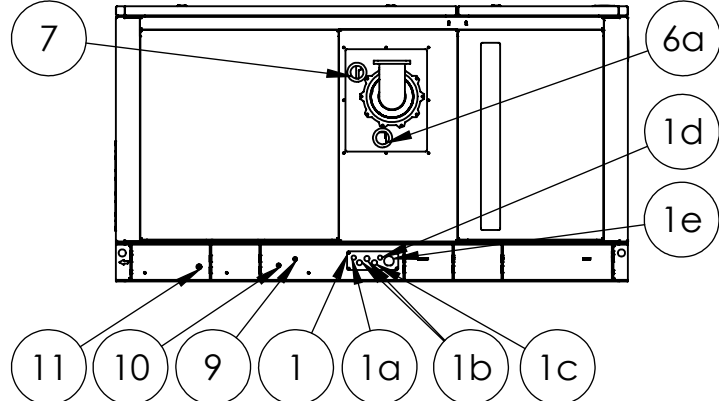
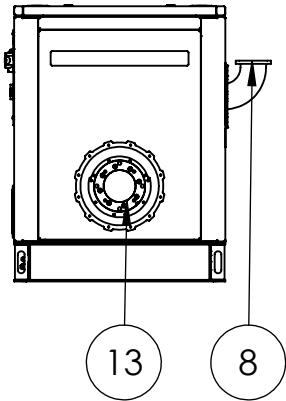
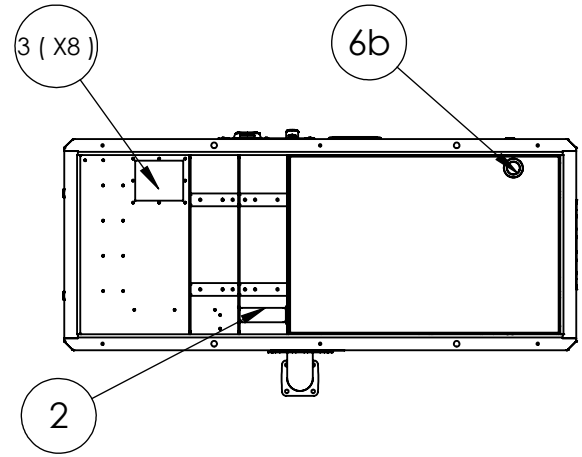
REVISIONS			
REV.	DESCRIPTION	DATE	APPROVED
A	PRELIMINARY PRE-PRODUCTION	8/30/2019	TA
B	DIMENSIONS FINALIZED FOR RELEASE	9/24/2019	TA

NOTE:  
EXHAUST OUTLET LOCATION VARIES  
BETWEEN 65 AND 104 kWe  
ENCLOSURES.  
40-65 kWe LOCATION SHOWN. ALL  
OTHER DIMENSIONS ARE IDENTICAL

UNLESS OTHERWISE SPECIFIED:		NAME	DATE	<b>MER Equipment</b>		
TOLERANCES IN INCHES: FRACTIONAL $\pm 1/32$ ANGULAR: MACH $\pm 1$ BEND $\pm 1$ TWO PLACE DECIMAL $\pm .030$ THREE PLACE DECIMAL $\pm .005$		DRAWN	TA 8/30/19			PART NO. SS65-104
INTERPRET GEOMETRIC TOLERANCING PER:		CHECKED		DWG. NUMBER: SS65-104-DRB		
MATERIAL		MFG APPR.		SIZE <b>A</b>	DESCRIPTION: SOUND SHIELDED GENSET. 65-104 kWe	REV <b>B</b>
FINISH		Q.A.				
<b>DO NOT SCALE DRAWING</b>		REVISION NEEDED		SCALE: 1:30		WEIGHT:
<b>PROPRIETARY AND CONFIDENTIAL</b> THE INFORMATION CONTAINED IN THIS DRAWING IS THE SOLE PROPERTY OF <b>MER EQUIPMENT</b> . ANY REPRODUCTION IN PART OR AS A WHOLE WITHOUT THE WRITTEN PERMISSION OF <b>MER EQUIPMENT</b> IS PROHIBITED.			SHEET 1 OF 2			

# CUSTOMER SERVICE POINTS

ITEM	NAME	TYPE
1	CABLE KNOCK-OUT PLATE, PRECONFIGURED FOR GLANDS TO FIT CABLE FOR WINDING AND BLOCK HEATERS, STARTER CABLES, SHIP'S ALARM CABLE, ECU CABLE AND REMOTE PANEL PLUG	12G STEEL (.105")
1c	SHIP ALARM CABLE	16-12 .695" DIA LOW SMOKE CABLE
1d	ECU POWER CABLE	10-2 .62" DIA
1b	STARTER CABLE	2g (11' MAX FOR 104 kWe AFM)
1a	CABLE FOR WINDING & BLOCK HEATERS	110 VAC
1e	REMOTE/SLAVE PANEL(S) HARNESS BULKHEAD PLUG	14 PIN PLUG CONNECTION FOR REMOTE/SLAVE PANEL(S) SHIELDED TWISTED PAIR, POWER AND AUX.
2	AUX. KNOCK OUT PLATE (BLANK), SWAPPABLE W/ #1 FOR L-HAND OR UNDERSIDE ACCESS	12G STEEL (.105")
3	MAIN VAC CABLE KNOCK-OUT PLATE	120-480 VAC SIZED FOR 8 IND. CABLES OR 2 4-CONDUCTOR CABLES
4	CONTROL CABINET EXTERNAL CONNECTOR INTERFACE	DEUTSCH 21 PIN, CO9, ACCESSORY, EXTERNAL SHUT DOWN, AND/OR SLAVE/REMOTE PANEL
5	DIAGNOSTIC BULKHEAD PLUG CONNECTION	REQUIRES JD DIAGNOSTIC TOOL AND SERVICE ADVISOR TO CONNECT
6a	COOLANT IN	1-1/2" HOSE, FOR KEEL COOLED, OR REMOTE RADIATOR
6b	SEA WATER IN	1-1/2" HOSE FOR HEAT EXCHANGER OR SEA WATER COOLING
7	COOLANT/SEAWATER OUT	1-1/2" HOSE, FOR ALL COOLANT CIRCUIT TYPES
8	EXHAUST	CLOCKABLE 4" SQ CAT FLANGE, 5" WET EXHAUST OPTION AVAILABLE
9	FUEL IN, L OR R-HAND	-6 JIC, MALE
10	FUEL OUT, L OR R-HAND	-6 JIC, MALE
11	OIL DRAIN/FILL, L OR R HAND	-8 JIC, MALE
12	INSTRUMENT PANEL WITH PV101, ANNUNCIATOR AND E-STOP	REMOTE AND OR LOCAL, MONITORING/PARALLELING OPTIONS AVAILABLE W/ DEEPSEA, COMAP, WOODWARD, DYNAGEN, BASLER, AUTOMASKIN OR (INSERT NAME HERE) CONTROLLERS
13	POWER TAKE OFF (OPTIONAL)	LIVE AND CLUTCHED OPTIONS AVAILABLE, 12, 24 DC OR AIR ACTUATED. 400-1200 FT-LB SIZES



UNLESS OTHERWISE SPECIFIED: TOLERANCES IN INCHES: FRACTIONAL ±1/32 ANGULAR: MACH ±1 BEND ±1 TWO PLACE DECIMAL ±.030 THREE PLACE DECIMAL ±.005	DRAWN	NAME	DATE	<b>MER Equipment</b>		
	CHECKED	TA	8/30/19			
	MFG APPR.			PART NO. SS65		
	Q.A.			DWG. NUMBER: SS65-DRA		
INTERPRET GEOMETRIC TOLERANCING PER:	REVISION NEEDED			SIZE	DESCRIPTION:	REV
MATERIAL	<b>PROPRIETARY AND CONFIDENTIAL</b> THE INFORMATION CONTAINED IN THIS DRAWING IS THE SOLE PROPERTY OF <b>MER EQUIPMENT</b> . ANY REPRODUCTION IN PART OR AS A WHOLE WITHOUT THE WRITTEN PERMISSION OF <b>MER EQUIPMENT</b> IS PROHIBITED.			<b>A</b>	SOUND SHIELDED GENSET. 65-104 kWe	<b>A</b>
FINISH						
<b>DO NOT SCALE DRAWING</b>						
	SCALE: 1:30	WEIGHT:	SHEET 2 OF 2			