

4

3

2

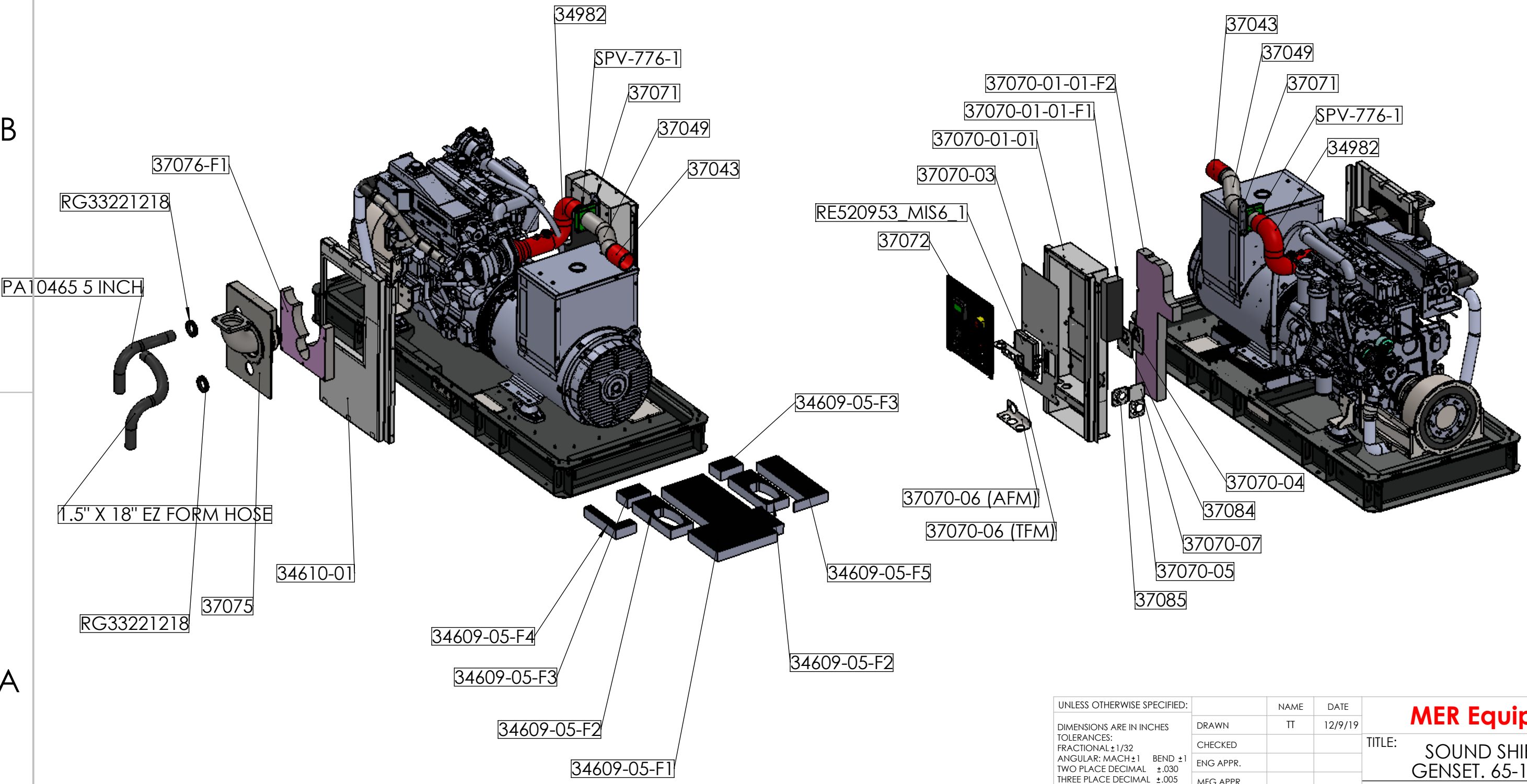
1

B

B

A

A



UNLESS OTHERWISE SPECIFIED:		NAME	DATE
DIMENSIONS ARE IN INCHES		DRAWN	TT 12/9/19
TOLERANCES:		CHECKED	
FRACTIONAL: ±1/32		ENG APPR.	
ANGULAR: MACH ±1 BEND ±1		MFG APPR.	
TWO PLACE DECIMAL ±.030		Q.A.	
THREE PLACE DECIMAL ±.005		COMMENTS:	
INTERPRET GEOMETRIC TOLERANCING PER:			
MATERIAL			
FINISH			
DO NOT SCALE DRAWING			

PROPRIETARY AND CONFIDENTIAL
 THE INFORMATION CONTAINED IN THIS DRAWING IS THE SOLE PROPERTY OF <INSERT COMPANY NAME HERE>. ANY REPRODUCTION IN PART OR AS A WHOLE WITHOUT THE WRITTEN PERMISSION OF MER EQUIPMENT IS PROHIBITED.

MER Equipment

TITLE: SOUND SHIELDED GENSET. 65-104 kWe

PART NO. SS65 ASSEMBLY VIEWS

SIZE	DWG. NO.	REV
B	SS65-DRA	A

SCALE: 1:18 WEIGHT: SHEET 1 OF 5

4

3

2

1

4

3

2

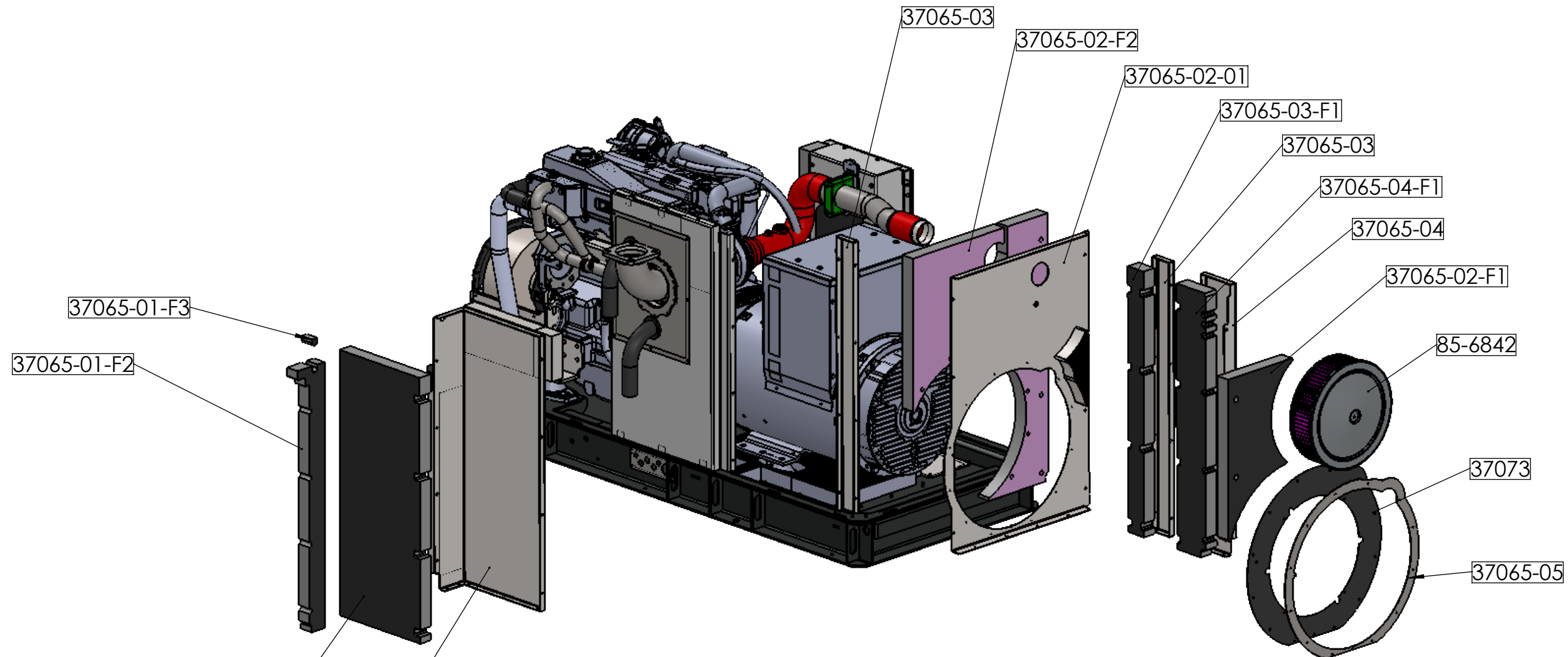
1

B

B

A

A



PROPRIETARY AND CONFIDENTIAL
 THE INFORMATION CONTAINED IN THIS DRAWING IS THE SOLE PROPERTY OF <INSERT COMPANY NAME HERE>. ANY REPRODUCTION IN PART OR AS A WHOLE WITHOUT THE WRITTEN PERMISSION OF MER EQUIPMENT IS PROHIBITED.

UNLESS OTHERWISE SPECIFIED:		NAME	DATE
DIMENSIONS ARE IN INCHES		DRAWN	TT 12/9/19
TOLERANCES:		CHECKED	
FRACTIONAL ±1/32		ENG APPR.	
ANGULAR: MACH ±1 BEND ±1		MFG APPR.	
TWO PLACE DECIMAL ±.030		Q.A.	
THREE PLACE DECIMAL ±.005		COMMENTS:	
INTERPRET GEOMETRIC TOLERANCING PER:			
MATERIAL			
FINISH			
DO NOT SCALE DRAWING			

MER Equipment		
TITLE: SOUND SHIELDED GENSET. 65-104 kWe		
PART NO. SS65 ASSEMBLY VIEWS		
SIZE B	DWG. NO. SS65-DRA	REV A
SCALE: 1:15 WEIGHT:		SHEET 2 OF 5

4

3

2

1

4

3

2

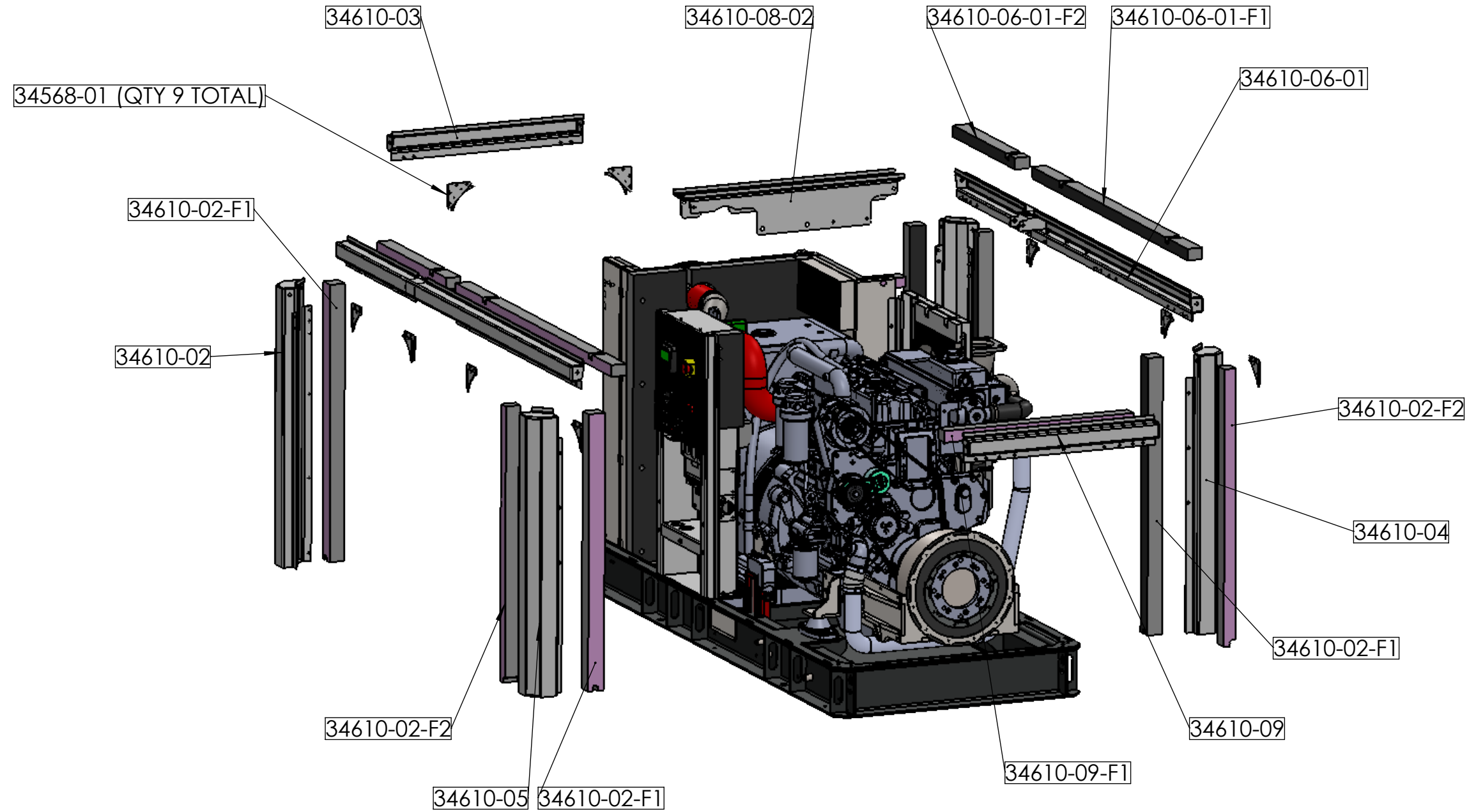
1

B

B

A

A



UNLESS OTHERWISE SPECIFIED:		NAME	DATE
DIMENSIONS ARE IN INCHES		DRAWN	TT 12/9/19
TOLERANCES:		CHECKED	
FRACTIONAL ±1/32		ENG APPR.	
ANGULAR: MACH ±1 BEND ±1		MFG APPR.	
TWO PLACE DECIMAL ±.030		Q.A.	
THREE PLACE DECIMAL ±.005		COMMENTS:	
INTERPRET GEOMETRIC TOLERANCING PER:			
MATERIAL			
FINISH			
DO NOT SCALE DRAWING			

PROPRIETARY AND CONFIDENTIAL
 THE INFORMATION CONTAINED IN THIS DRAWING IS THE SOLE PROPERTY OF <INSERT COMPANY NAME HERE>. ANY REPRODUCTION IN PART OR AS A WHOLE WITHOUT THE WRITTEN PERMISSION OF MER EQUIPMENT IS PROHIBITED.

MER Equipment		
TITLE: SOUND SHIELDED GENSET. 65-104 kW _e		
PART NO. SS65 ASSEMBLY VIEWS		
SIZE	DWG. NO.	REV
B	SS65-DRA	A
SCALE: 1:15 WEIGHT:		SHEET 3 OF 5

4

3

2

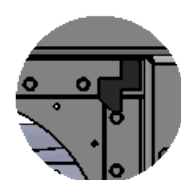
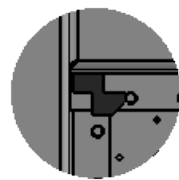
1

4

3

2

1



NOTE: INSTALL 37092 (X12),
1 IN EACH UPPER CORNER
WHERE PANELS ATTACH

DETAIL A

DETAIL B

SCALE 1:5
(TYP)

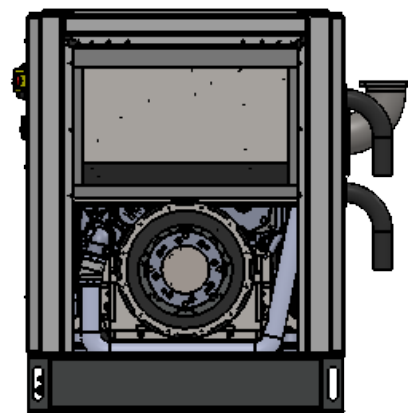
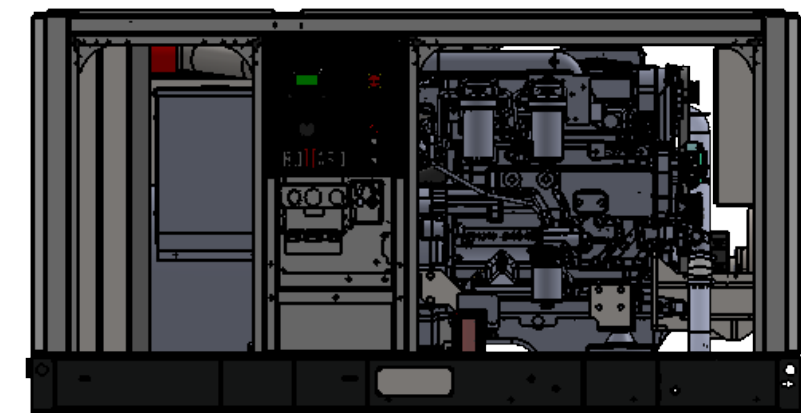
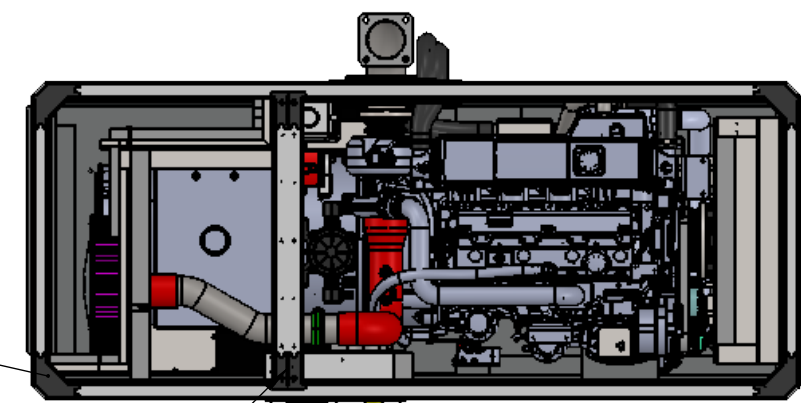
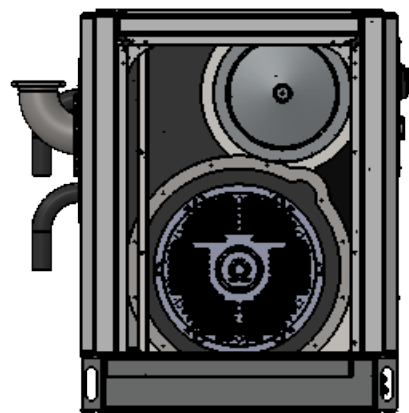
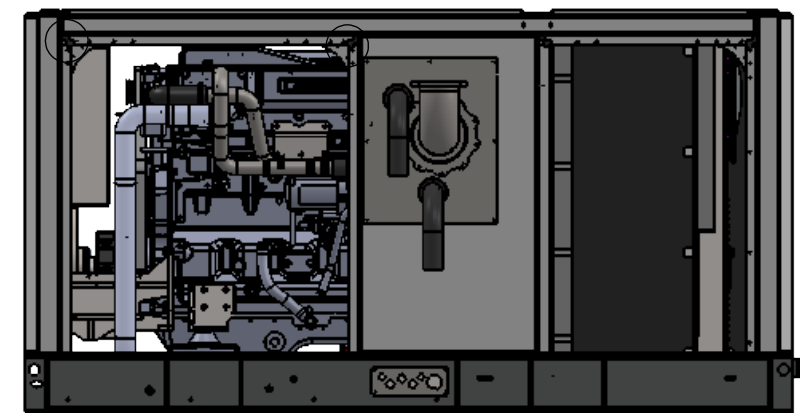
SCALE 1:5
(TYP)

B

A

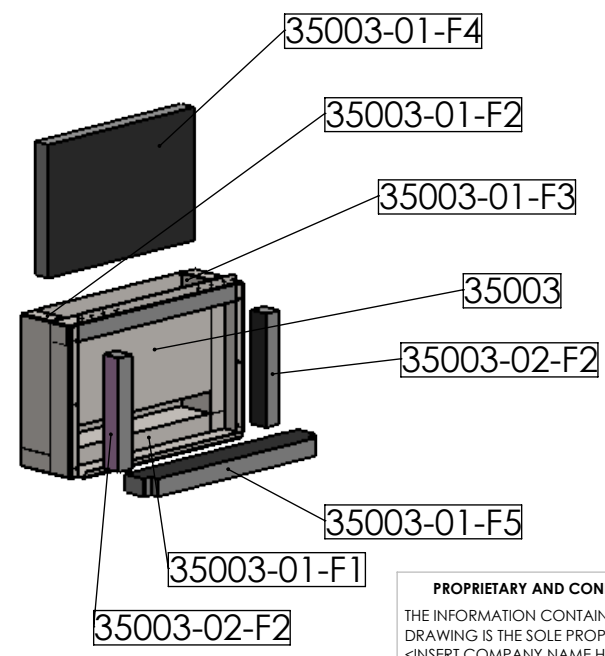
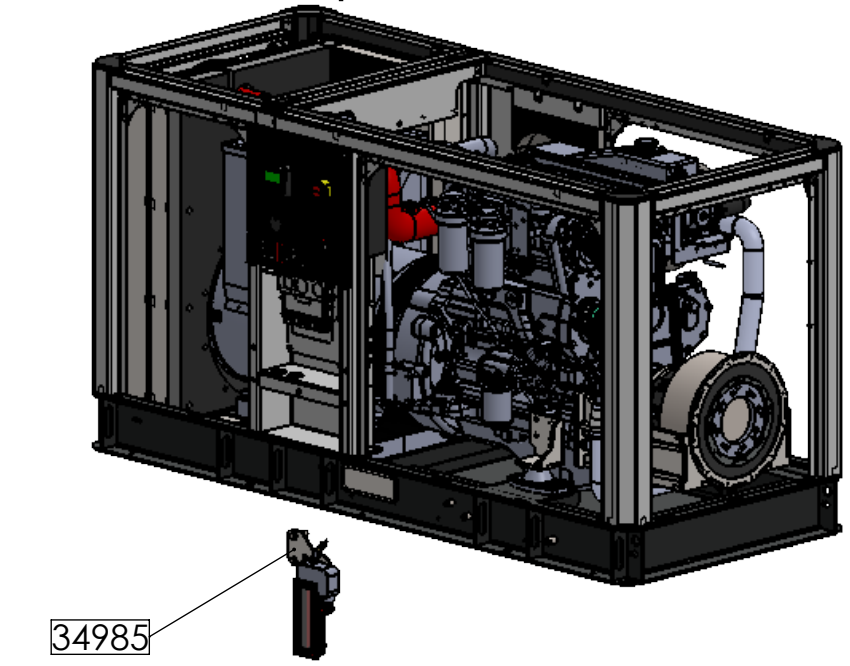
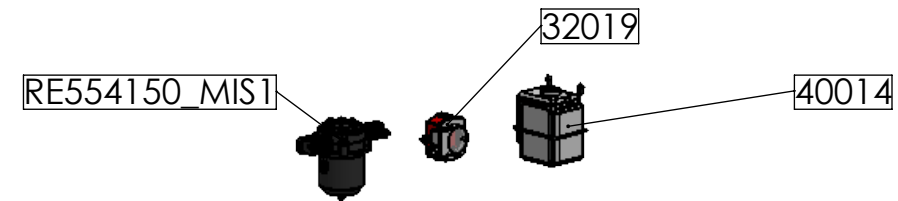
B

B



(4X) 37093

(2x) 37094



A

A

UNLESS OTHERWISE SPECIFIED:		NAME	DATE
DIMENSIONS ARE IN INCHES	DRAWN	TT	12/9/19
TOLERANCES:	CHECKED		
FRACTIONAL ±1/32	ENG APPR.		
ANGULAR: MACH ±1 BEND ±1	MFG APPR.		
TWO PLACE DECIMAL ±.030	Q.A.		
THREE PLACE DECIMAL ±.005	COMMENTS:		
INTERPRET GEOMETRIC TOLERANCING PER:			
MATERIAL			
FINISH			
DO NOT SCALE DRAWING			

PROPRIETARY AND CONFIDENTIAL
THE INFORMATION CONTAINED IN THIS DRAWING IS THE SOLE PROPERTY OF <INSERT COMPANY NAME HERE>. ANY REPRODUCTION IN PART OR AS A WHOLE WITHOUT THE WRITTEN PERMISSION OF MER EQUIPMENT IS PROHIBITED.

MER Equipment

TITLE: **SOUND SHIELDED
GENSET. 65-104 kWe**

PART NO. **SS65 ASSEMBLY VIEWS**

SIZE **B** DWG. NO. **SS65-DRA** REV **A**

SCALE: 1:20 WEIGHT: SHEET 4 OF 5

4

3

2

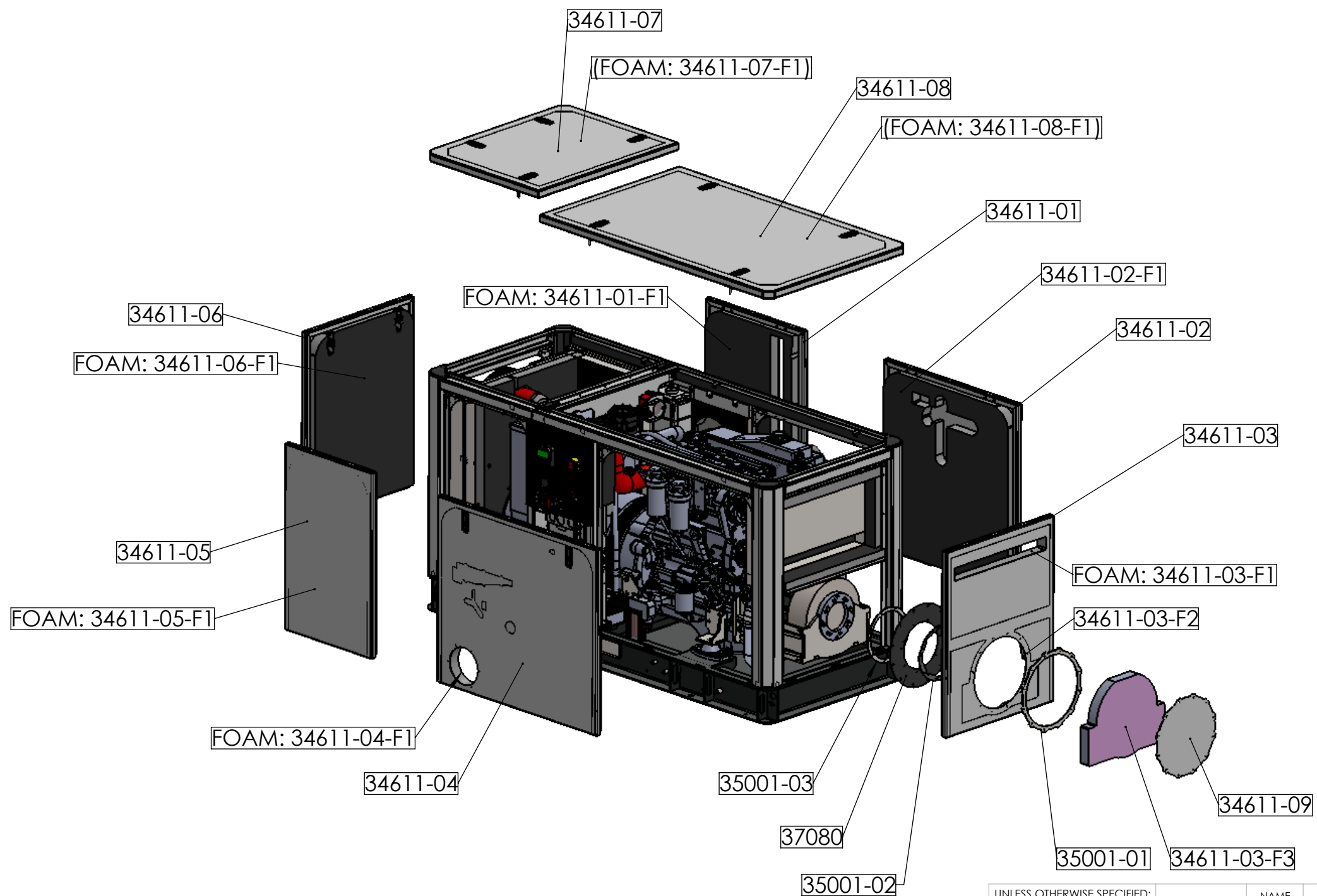
1

4

3

2

1



UNLESS OTHERWISE SPECIFIED:		NAME	DATE
DIMENSIONS ARE IN INCHES		DRAWN	TT 12/9/19
TOLERANCES:		CHECKED	
FRACTIONAL $\pm 1/32$		ENG APPR.	
ANGULAR: MACH ± 1 BEND ± 1		MFG APPR.	
TWO PLACE DECIMAL $\pm .030$		Q.A.	
THREE PLACE DECIMAL $\pm .005$		COMMENTS:	
INTERPRET GEOMETRIC TOLERANCING PER:			
MATERIAL			
FINISH			
DO NOT SCALE DRAWING			

PROPRIETARY AND CONFIDENTIAL
 THE INFORMATION CONTAINED IN THIS DRAWING IS THE SOLE PROPERTY OF <INSERT COMPANY NAME HERE>. ANY REPRODUCTION IN PART OR AS A WHOLE WITHOUT THE WRITTEN PERMISSION OF MER EQUIPMENT IS PROHIBITED.

MER Equipment		
TITLE: SOUND SHIELDED GENSET. 65-104 kWe		
PART NO. SS65 ASSEMBLY VIEWS		
SIZE	DWG. NO.	REV
B	SS65-DRA	A
SCALE: 1:20 WEIGHT:		SHEET 5 OF 5