



H44D700 CLUTCH

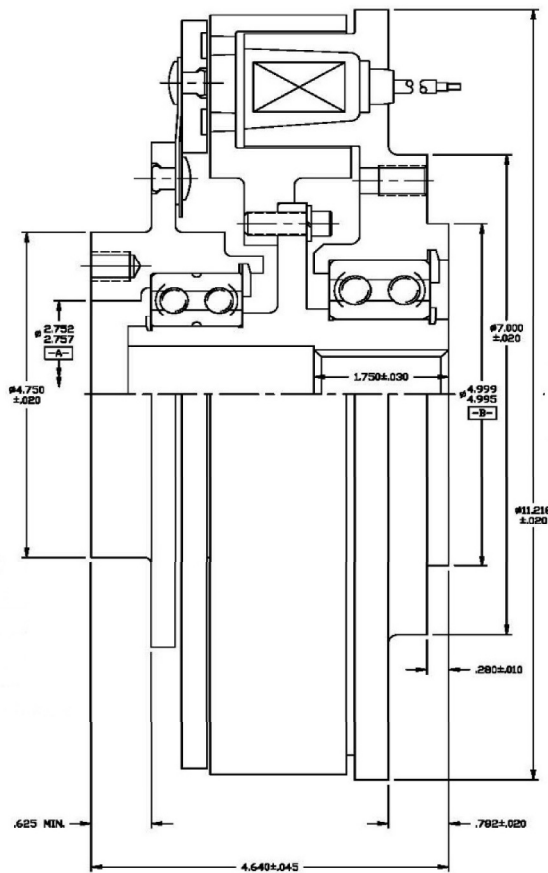
Hydraulic Pump Drive

12 or 24 Volt D.C. - Shaft Driven

Power
91 Watts

Max RPM
3000

Weight
45 Lbs.



US Patent No. 4601378

Static Rated Torque - 700 Lbs. Ft.

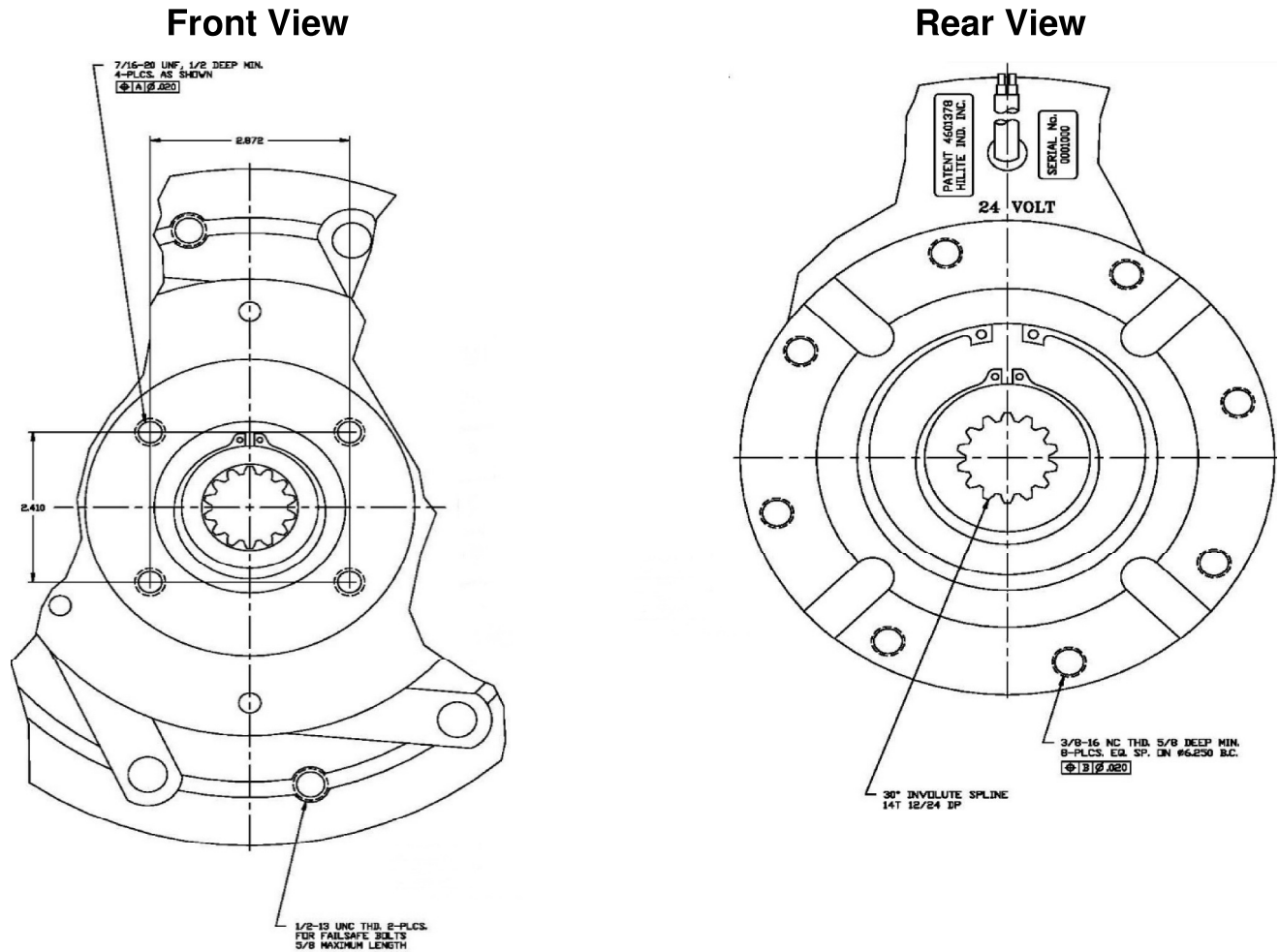
Inertia: Rotor Assy..... 1.83 Lb. Ft.²
Armature Assy..... .92 Lb. Ft.²

| 24 Volt - 4 Amp Part No. | 12 Volt - 8 Amp Part No | For Pump Shaft Size | For Pump Mount Style | Pitts Mount Bracket |
|--------------------------|-------------------------|---------------------------------|----------------------|---------------------|
| 14093 | 14094 | "C" Splined 1-1/4" 14T 12/24 DP | "C" 2-4 | 13256 |
| | | | "B" 2-4 | 13258 |

WWW.PITTSINDUSTRIES.COM

H44D700 CLUTCH

Mounting Dimensions



US Patent No. 4601378

Note:

- Drive flange bolt pattern and pilot diameter on clutch are dimensioned to correlate with "Spicer" type 1350 – 1410 series drive shaft flange connections.
- Proper drive shaft selection is important. Consult with drive shaft manufacturers specifications for each specific application requirements.
- Drive shaft alignment must be within 3°.