



H28V200 CLUTCH

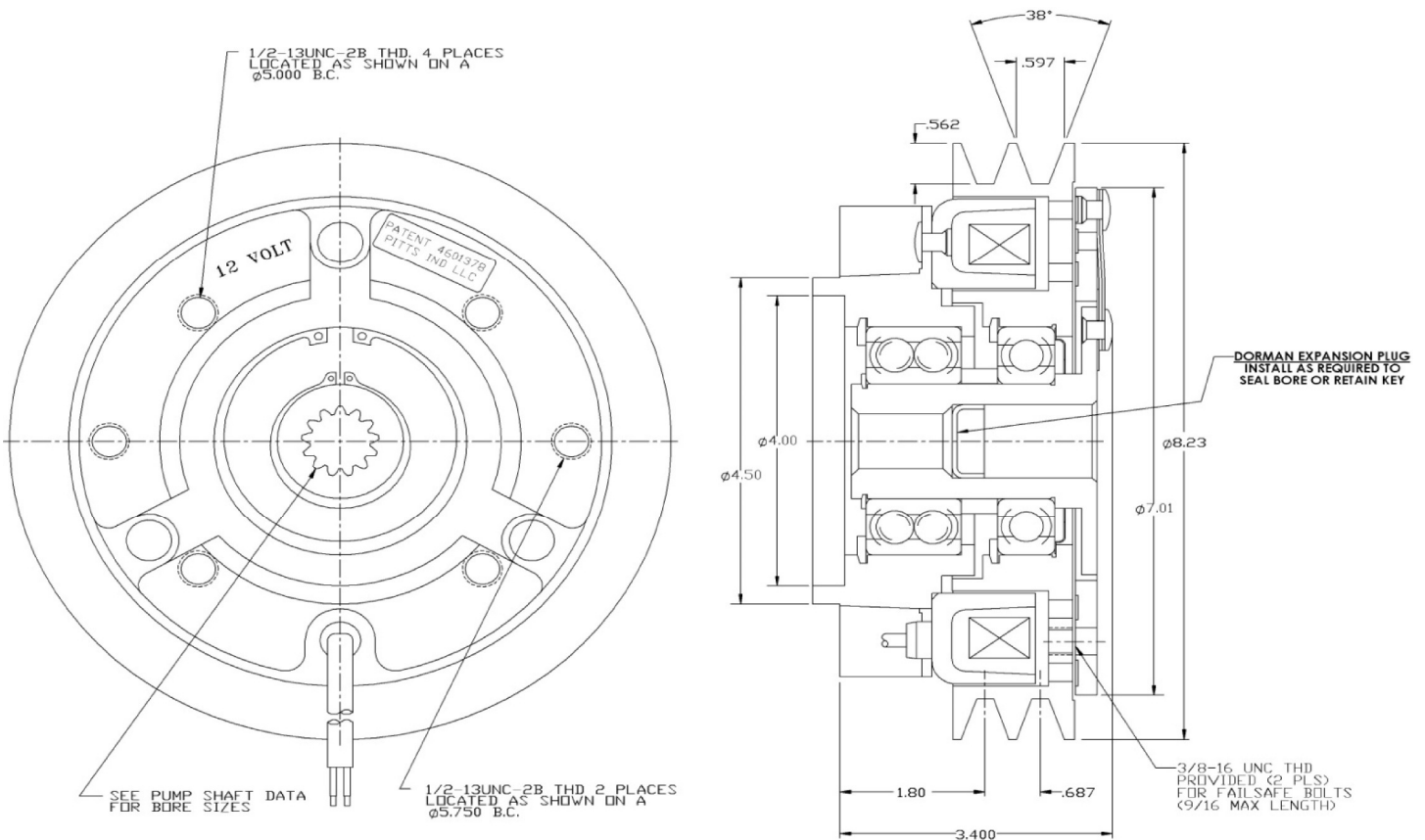
Hydraulic Pump Drive

12 or 24 Volt D.C. - V-Belt Driven - 5/8" Wide Belts

Power
72 Watts

Max RPM
3600

Weight
30 Lbs.



US Patent No. 4601378
Static Rated Torque - 200 Lbs. Ft.

24 Volt - 3 Amp Part No.	12 Volt - 6 Amp Part No	For Pump Shaft Size	For Pump Mount Style	Pitts Mount Bracket
N/A	13244	1" - With 1/4" Keyway	"B" 2 or 4 Bolt	13219
13654	13245	"B" Spline 13T 16/32 DP		
N/A	13246	7/8" - With 1/4" Keyway		

WWW.PITTSINDUSTRIES.COM