



"The Clutch People"



**GRESEN PUMP
ONLY**

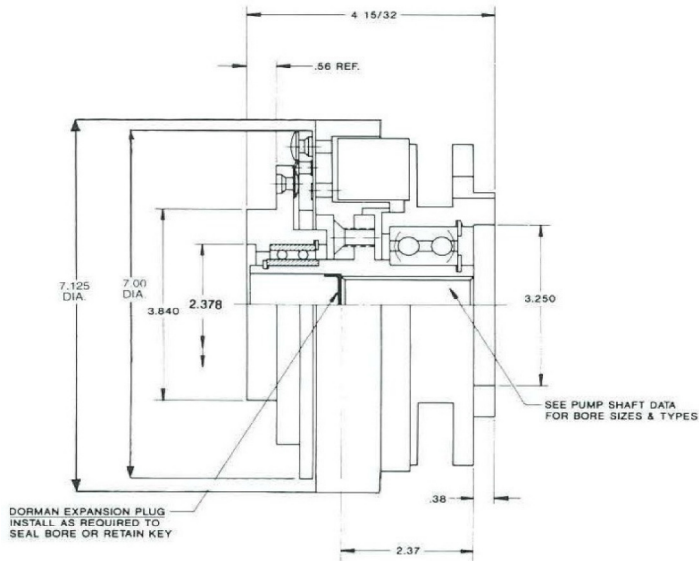
H28D200G CLUTCH

Hydraulic Pump Drive, (Gresen TC)
12 or 24 Volt D.C. - Shaft Driven

Power
72 Watts

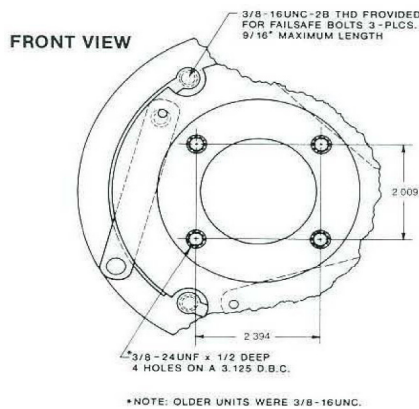
Max RPM
3600

Weight
30 Lbs.

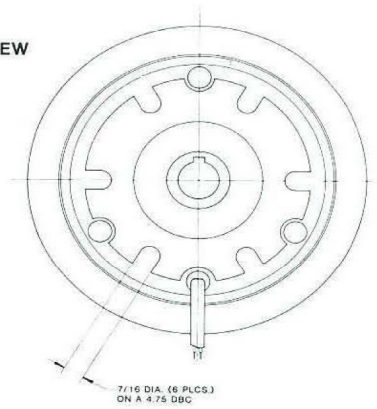


Note:

- Drive flange bolt pattern and pilot diameter on clutch are dimensioned to correlate with "Spicer" type 1280 – 1310 series drive shaft flange connections.
- Proper drive shaft selection is important. Consult with drive shaft manufacturers specifications for each specific application requirements.
- Drive shaft alignment must be within 3°.



REAR VIEW



US Patent No. 4601378

Static Rated Torque - 200 Lbs. Ft.

Inertia: Rotor Assy..... .39 Lb. Ft.²
Armature Assy..... .18 Lb. Ft.²

24 Volt - 3 Amp Part No.	12 Volt - 6 Amp Part No	For Pump Shaft Size	For Pump Mount Style	Pitts Mount Bracket
13898	13418	1" Straight Keyed - 1/4" Keyway	"A" 6 Bolt	13219

WWW.PITTSINDUSTRIES.COM