



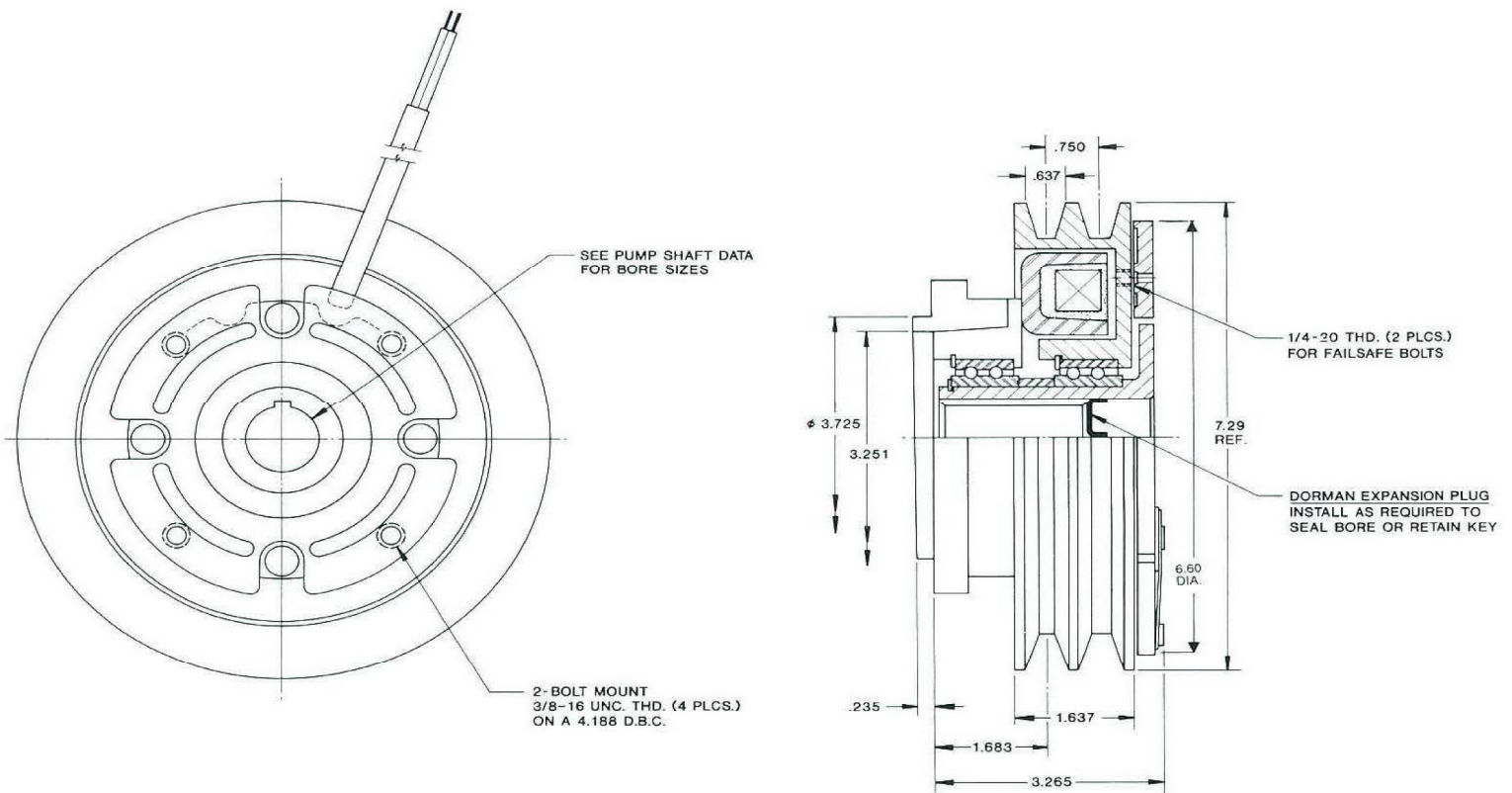
H27V150 CLUTCH

Hydraulic Pump Drive
 12 or 24 Volt D.C. - Belt Driven - Power Band "B" Belt

Power
 60 Watts

Max RPM
 3600

Weight
 24 Lbs.



US Patent No. 4601378
Static Rated Torque - 150 Lbs. Ft.

24 Volt - 2.5 Amp Part No.	12 Volt - 5 Amp Part No	For Pump Shaft Size	For Pump Mount Style	Pitts Mount Bracket
N/A	13666	3/4" - With 3/16" Keyway	"A" 2 Bolt	13195