

H24K90 CLUTCH

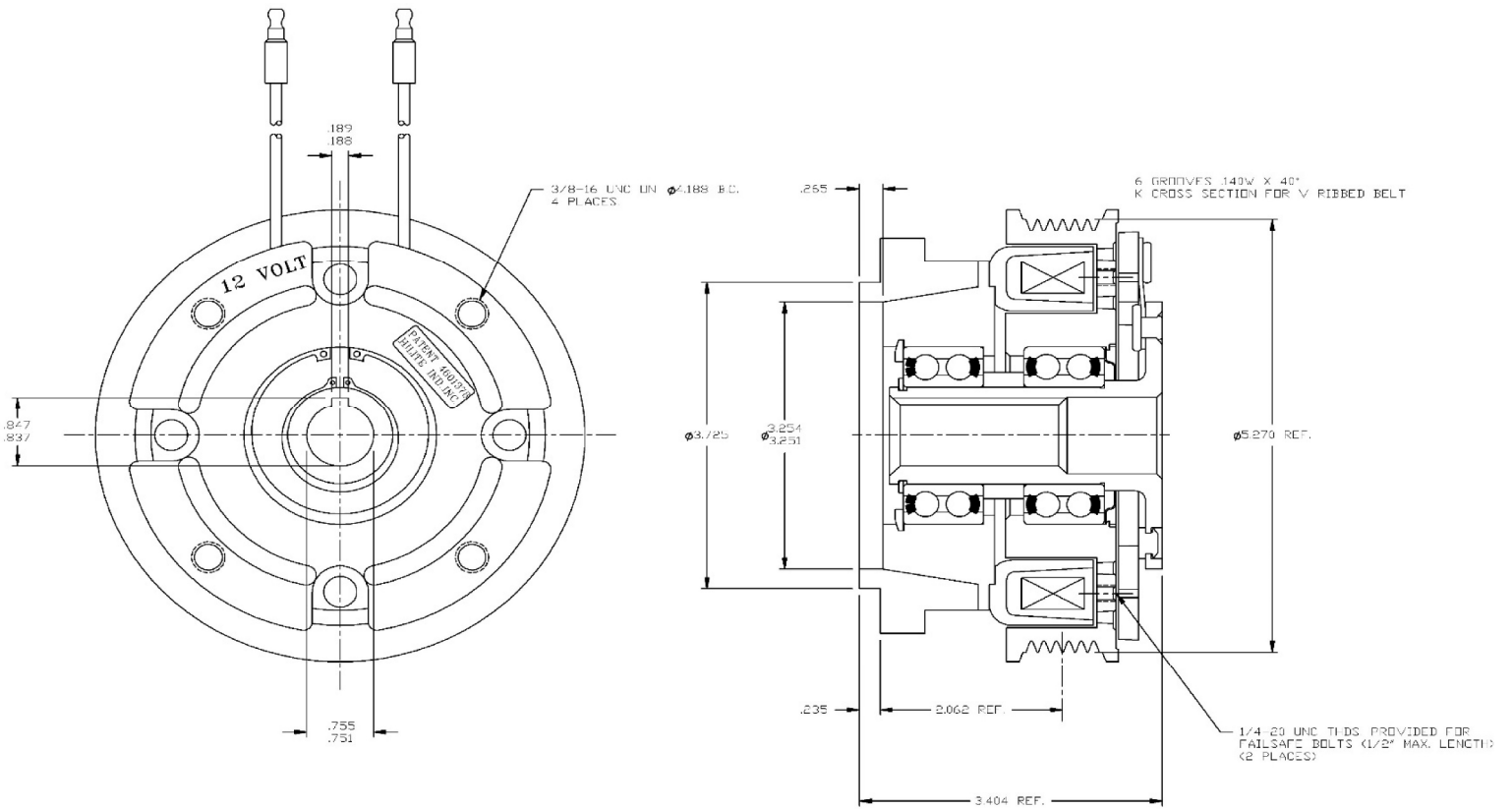
Hydraulic Pump Drive

12 Volt D.C. - Polly Groove "K" Section

Power
48 Watts

Max RPM
5000

Weight
14 Lbs.



US Patent No. 4601378
Static Rated Torque - 90 Lbs. Ft.

24 Volt - 2 Amp Part No.	12 Volt - 4 Amp Part No	For Pump Shaft Size	For Pump Mount Style	Pitts Mount Bracket
N/A	14647	"A" Spline 9T 16/32 DP	"A" 2 Bolt	13195
	13818	3/4" - With 3/16" Keyway		