

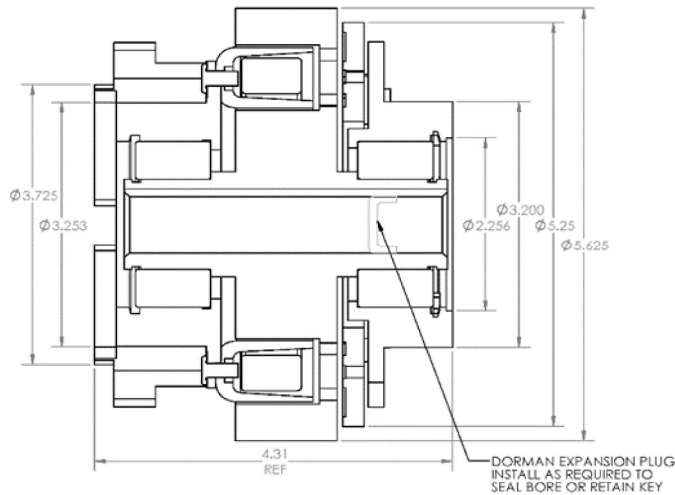
H24D90 CLUTCH

Hydraulic Pump Drive 12 or 24 Volt D.C. - Shaft Driven

Power
48 Watts

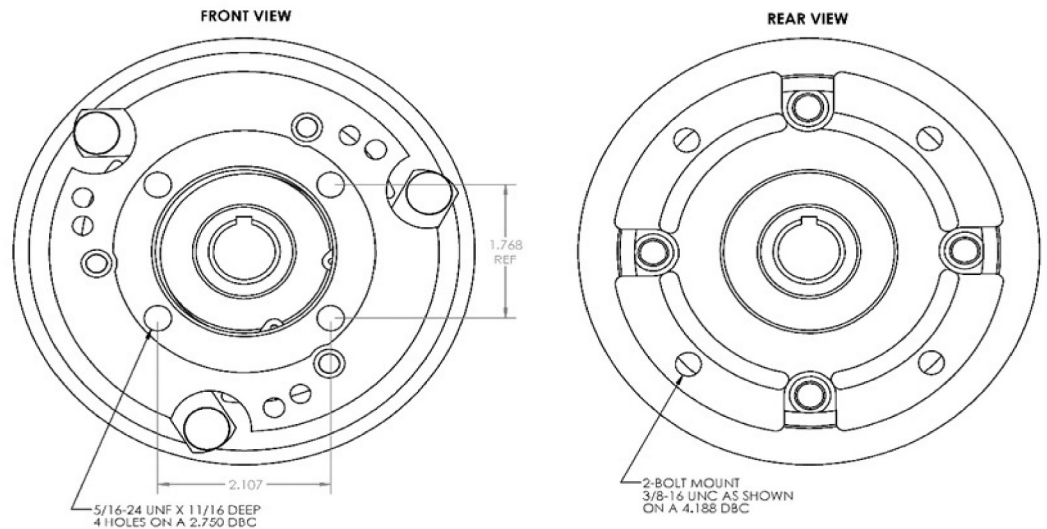
Max RPM
3600

Weight
20 Lbs.



Note:

- Drive flange bolt pattern and pilot diameter on clutch are dimensioned to correlate with "Spicer" type 1000 – 1100 series drive shaft flange connections.
- Proper drive shaft selection is important. Consult with drive shaft manufacturers specifications for each specific application requirements.
- Drive shaft alignment must be within 3°.



US Patent No. 4601378
Static Rated Torque - 90 Lbs. Ft.

24 Volt - 2 Amp Part No.	12 Volt - 4 Amp Part No	For Pump Shaft Size	For Pump Mount Style	Pitts Mount Bracket
14344	13750	3/4" - With 3/16" Keyway	"A" 2 Bolt	13195