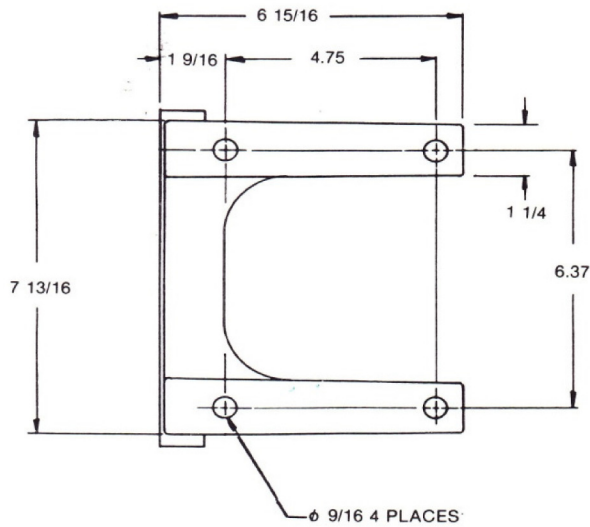
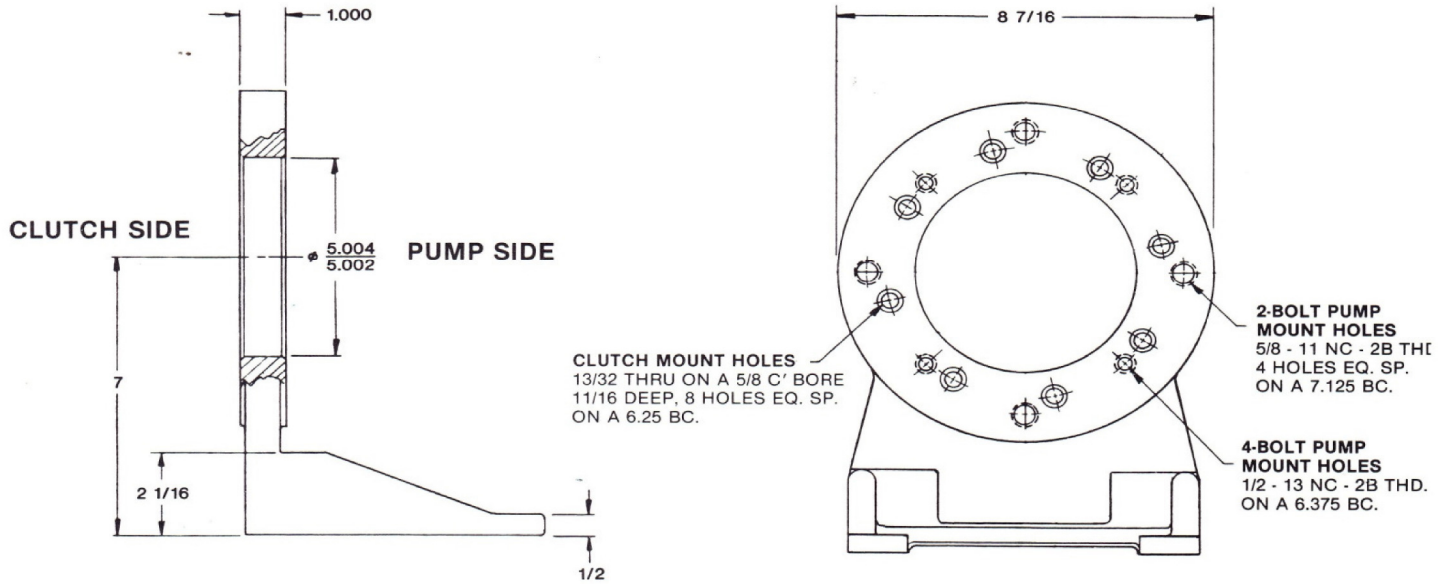




Model B-H36-H49-C

Clutch Mounting Bracket

SAE "C" 2-4 Bolt



PATENT NO. 4601378

Pitts Bracket Part No	Used On	Weight
13256	H36 H44 H49 Series Clutches	21 Lbs.

WWW.PITTSINDUSTRIES.COM