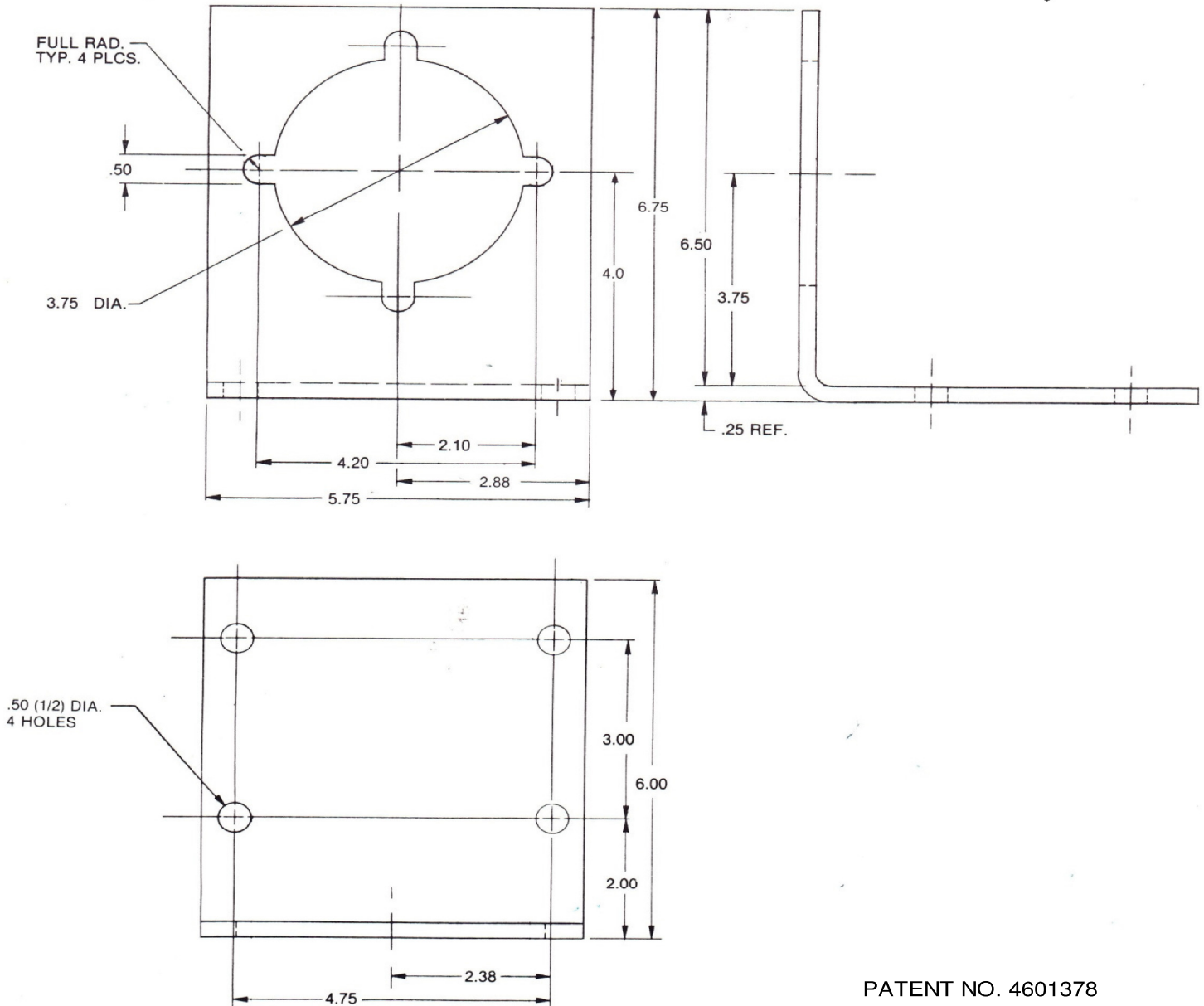


Model B-H24-H27 Clutch Mounting Bracket



PATENT NO. 4601378

Pitts Bracket Part No	Used On	Weight
13195	H24 & H27 Series Clutches	4 Lbs.

WWW.PITTSINDUSTRIES.COM