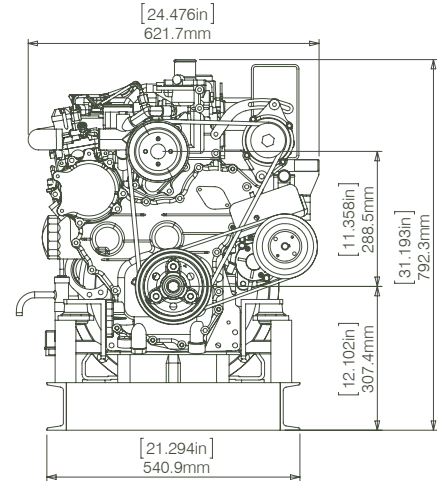
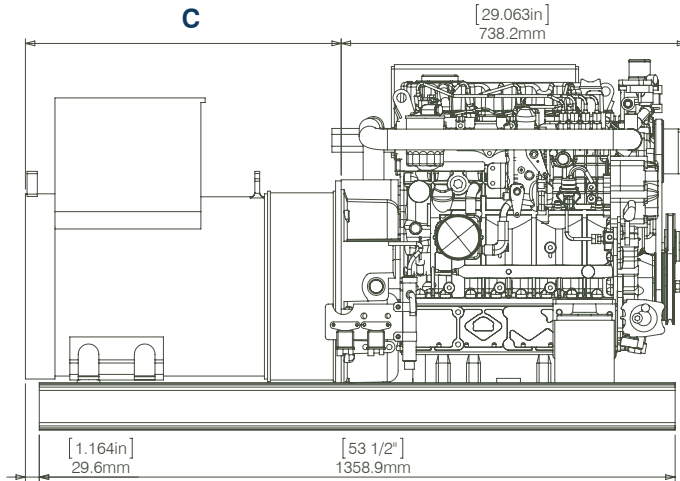




## Dimensions



### Alternate Dimensions C - Length - In Total Weight

Alternate Dimensions	C - Length - In	Total Weight
284-1508	22.8" (27.4" w/ PMG)	405
284-1542	22.8" (27.4" w/ PMG)	420
PI144J	26.6 (29.8" w/ EBS)	405
PI144K	27.2 (30.4" w/ EBS)	425

\* Drawings or pictures may show non-standard equipment

\* Dimensions are subject to change without notice and or with the use of alternate generators and cooling systems.

\* Please confirm exact configuration if dimensions are critical.

Load Performance	25%	50%	75%	100%
Load in kW	7.49	14.99	22.49	30
Pounds Per Hour	4.1	8.2	12.3	16.4
Gallons Per Hour	.58	1.15	1.73	2.31
kW Per Gallons Per Hour	12.89	12.89	12.89	12.89
Pounds Per Gallon	7.1	7.1	7.1	7.1
Continuous kW Output	28	28	28	28
Horsepower At Load	10.25	20.5	30.75	41
Horsepower Continuous	41	41	41	41
Pounds Per Horsepower Per Hour	.40	.40	.40	.40

## Customizable Options and Accessories

Engine	Controls & Instrumentation	DC Electrical System	Exhaust	Additional Options
Single Circuit Keel Cooling Package	Control Panel	Battery: 12v   24v	SS Wet Exhaust Mixing Elbow	Sea Trial Start Up
Single Circuit Heat Exchange Package	Custom Harness Length	Battery Rack & Cables	Dry Exhaust Matching Flange	MER Site Start-Up w/ Load Bank
Single Circuit Marine Radiator Package	Auxiliary Start Panel	Battery Isolation Switch	SUPERFLEX™ Exhaust Bellows	Custom Frame / Skid
	Auto Start/Stop		Cowl & EM Exhaust Silencers	Crank Vent Filtration Kit
	Pre-Alarm Senders	<b>Fuel-Lube Oil System</b>	Heat Recovery Silencer	Dual Vibration Isolation Mounts
<b>Motor Starting Upgrade Options</b>	AC Meter Panel	SCOR™ Oil Regeneration System		Custom Sound Enclosure
<b>(Code G Motor @ 208VAC)</b>	Low Coolant Level Shutdown	Oil Drain Extension W/ Valve	<b>Power Take Off</b>	Galvanized or Powder Coated
Up to 1:1 HP per kW	High Water Temp. Shutdown	Oil Drain Pump To Engine	SEADRIVE™ Clutched Front PTO	Skids & Accessories
	Low Oil Pressure Shutdown	Move Dipstick To Opposite Side	Clutch: Air   Oil   Electric	Racor Fuel Water Separator
<b>Air Intake &amp; Filtration</b>	Low Oil Level Gauge/Shutdown	High/Low Oil Level Shut Down	SEADRIVE™ Direct Drive Front PTO	
K&N Air Filters	Overspeed Shutdown	Custom Oil Drain Hose Length	Aux. A/B 2 Sheave Universal Pulley	
Donaldson Air Silencer	Paralleling & Load Share	Single Side Service	Aux. A/B 4 Sheave Universal Pulley	
Closed Crank Case Vent Loop	Over-Voltage Alarm	Lube Oil Drip Pan	Additional Belts	
	Over-Current Alarm			
	Under-Current Alarm			