

4

3

2

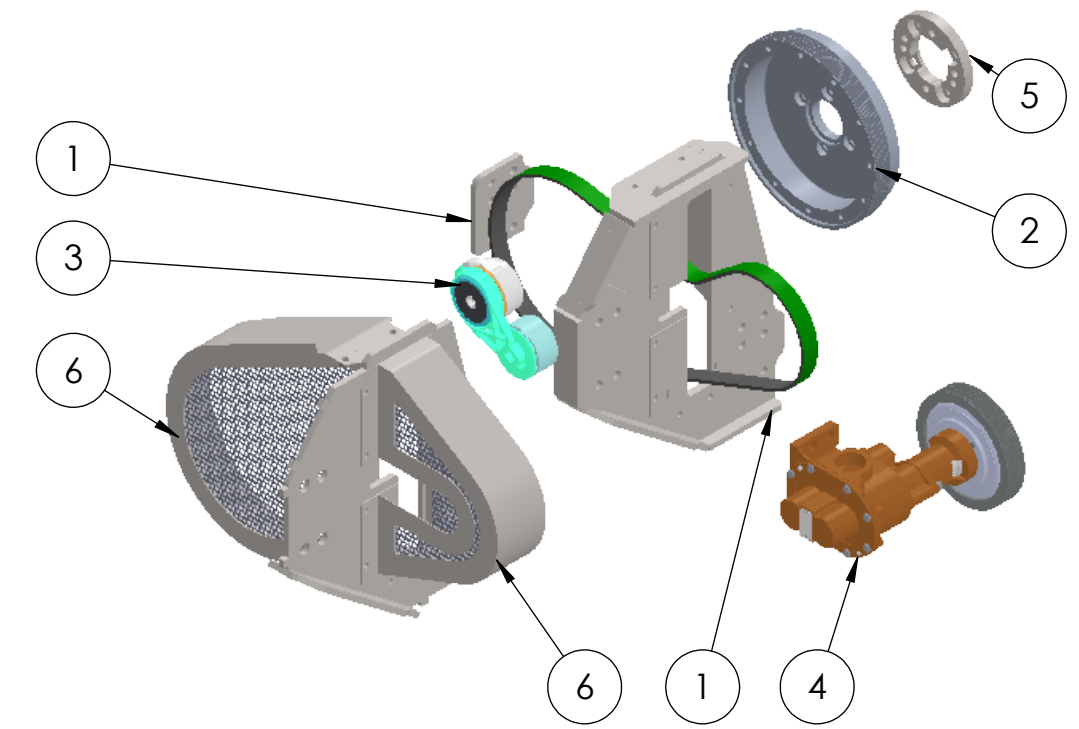
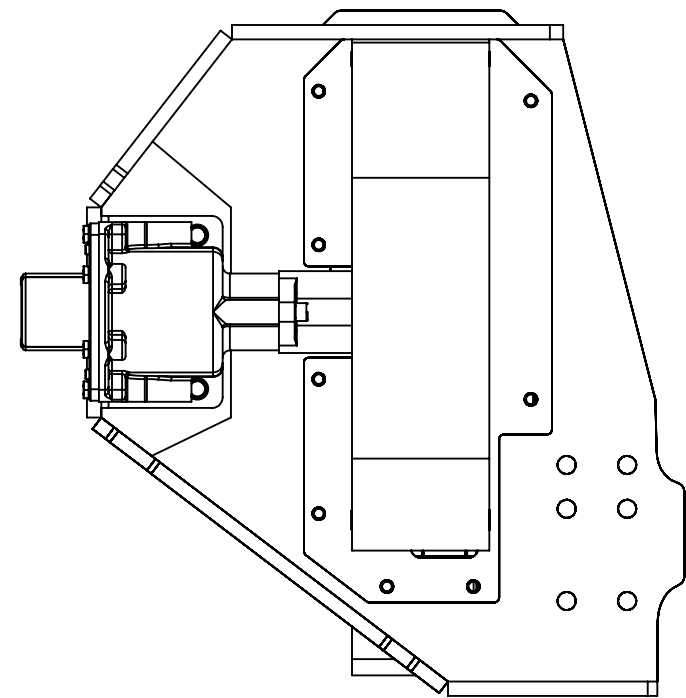
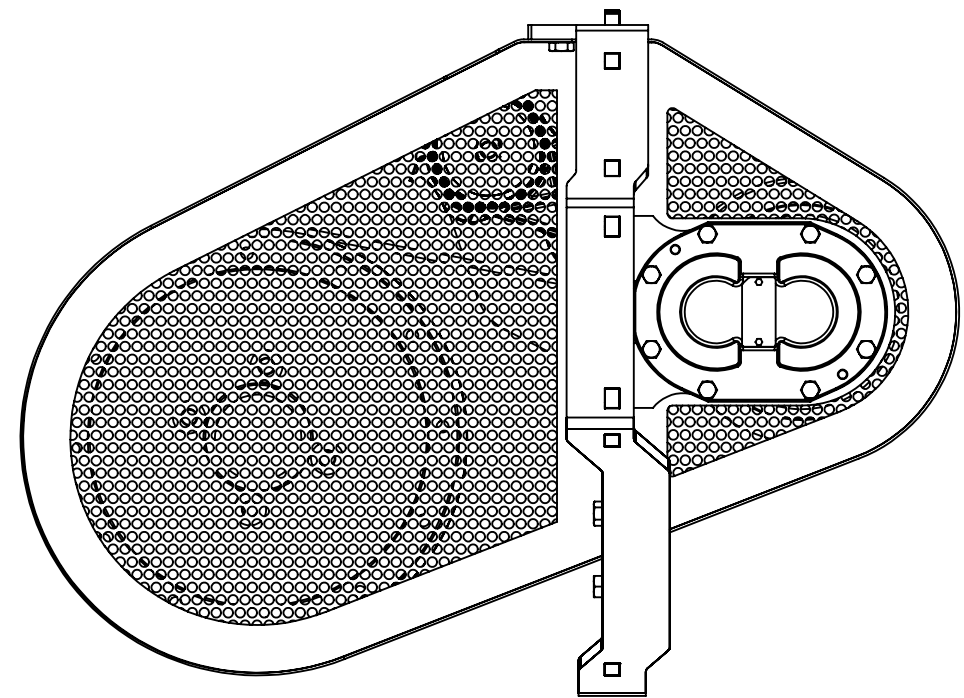
1

ITEM NO.	PART NUMBER	Revision	DESCRIPTION	QTY.
1	PA10532	A	BRACKET, WATER PUMP MOUNT, WP10008	1
2	37468	A	PULLEY, MICRO-V, K PROFILE, 8 GROOVE, 10" OD, 1410 SPICER INPUT W/ 1410 SPICER OUTPUT W/ 8" FLYWHEEL COUNTERBORE NAD BOLT PATTERN.	1
3	RE518097	A	TENSIONER, SERPENTINE BELT, K-PROFILE, 8 RIB.	1
4	N13HDM-8E24	A	N13HDM With clutched 8 Groove Poly V, K section, 24VDC	1
5	37237	A	ADAPTER, CUMMINS QSL9, ADAPTS FRONT DAMPER TO 8" PULLEY	1
6	PA10533	A	GUARD, CRANK PULLEY, SUT-TENSIONER, WATER PUMP PULLEY AND BELT GUARD, WP10008	1
7	K080585HD		K080585HD FLEETRANNER MICRO-V, 8 GROOVE, K-PROFILE, 1499 MM OC.	1

REVISIONS				
ZONE	REV.	DESCRIPTION	DATE	APPROVED
	A	Prototype	3/22/2021	TA


B

B



A

A

	UNLESS OTHERWISE SPECIFIED:	NAME	DATE	DWG. NO. WP10008-DRA	
	DIMENSIONS ARE IN INCHES TOLERANCES: FRACTIONAL ±1/32 ANGULAR: MACH ±1 BEND ±1 TWO PLACE DECIMAL ±.030 THREE PLACE DECIMAL ±.005	DRAWN BY: System Administrator	03/16/2021	DESC: FIRE PUMP & DEWATERING KIT, USCG COMPLIANT, CUMMINS QSL9. ENGINE MOUNTED, LEFT SIDE. CLUTCHED GEAR PUMP, 50GPM/60 PSI @ 1050 RPM.	
	PROPRIETARY AND CONFIDENTIAL	APPROVED BY:			
	THE INFORMATION CONTAINED IN THIS DRAWING IS THE SOLE PROPERTY OF MER EQUIPMENT. ANY REPRODUCTION IN PART OR AS A WHOLE WITHOUT THE WRITTEN PERMISSION OF MER EQUIPMENT IS PROHIBITED.	MATERIAL:		SIZE B	PART NO. WP10008
	FINISH:		DO NOT SCALE DRAWING		SHEET 1 OF 2
	WEIGHT:				
	COMMENTS				

4

3

2

1