

4

3

2

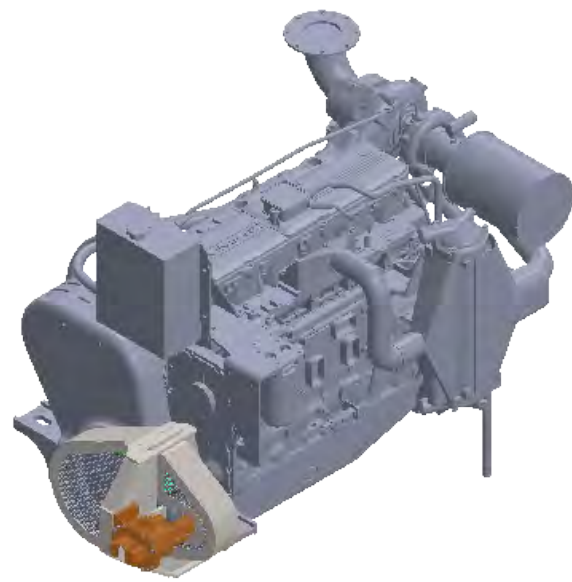
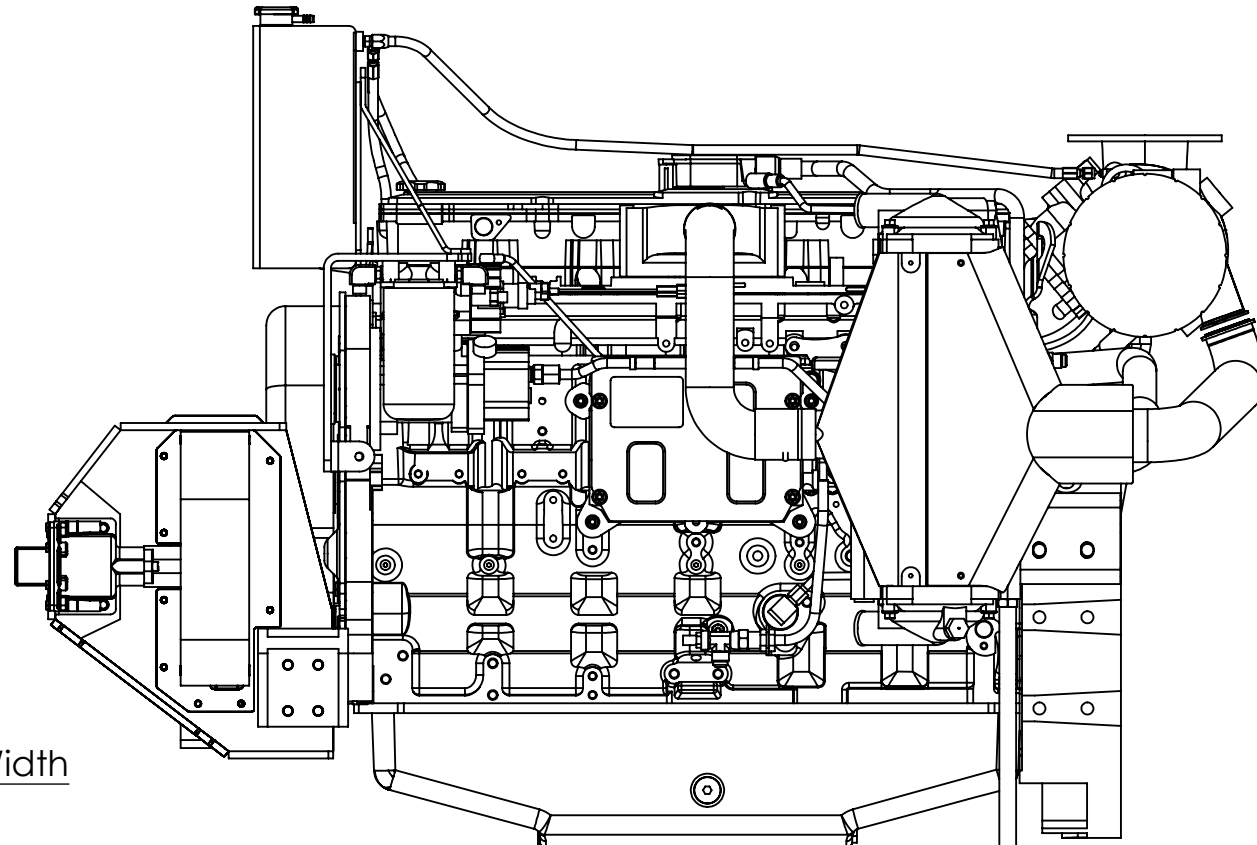
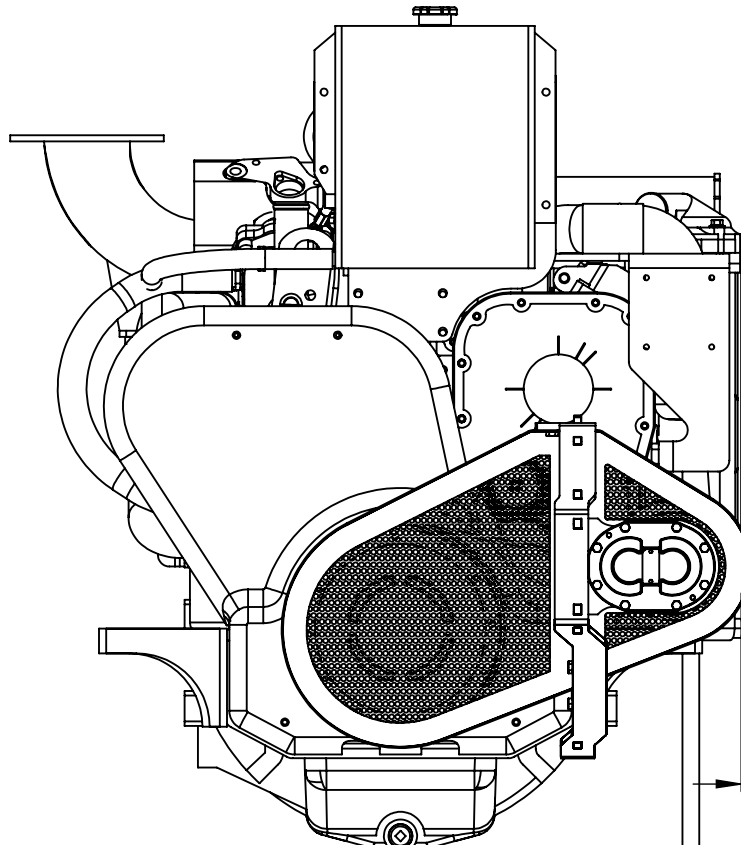
1

B

B

A

A



0.51  
Added Width

11.38  
Added Length



UNLESS OTHERWISE SPECIFIED:  
 DIMENSIONS ARE IN INCHES  
 TOLERANCES:  
 FRACTIONAL ±1/32  
 ANGULAR: MACH ±1 BEND ±1  
 TWO PLACE DECIMAL ±.030  
 THREE PLACE DECIMAL ±.005

**PROPRIETARY AND CONFIDENTIAL**

THE INFORMATION CONTAINED IN THIS DRAWING IS THE SOLE PROPERTY OF MER EQUIPMENT. ANY REPRODUCTION IN PART OR AS A WHOLE WITHOUT THE WRITTEN PERMISSION OF MER EQUIPMENT IS PROHIBITED.

DRAWN BY:	System Administrator	DATE	03/16/2021
APPROVED BY:			
MATERIAL:			
FINISH:			
WEIGHT:			
COMMENTS			

DWG. NO.		<b>WP10008-DRA</b>	
TITLE: FIRE PUMP & DEWATERING KIT, USCG COMPLIANT, CUMMINS QSL9. ENGINE MOUNTED, LEFT SIDE. CLUTCHED GEAR PUMP, 50GPM/60 PSI @ 1050 RPM.			
SIZE	PART NO.	REV	
<b>B</b>	WP10008	<b>A</b>	
DO NOT SCALE DRAWING		SHEET 2 OF 2	

4

3

2

1