

BOLLARD™ MG9

9kW Marine Generator Specifications

II 9kW

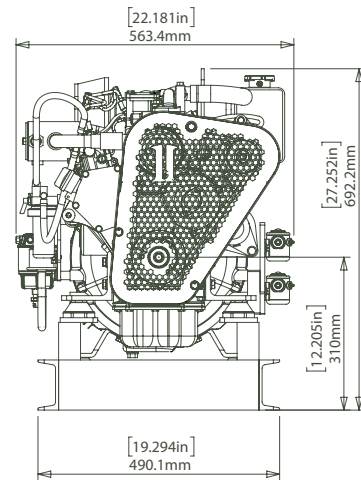
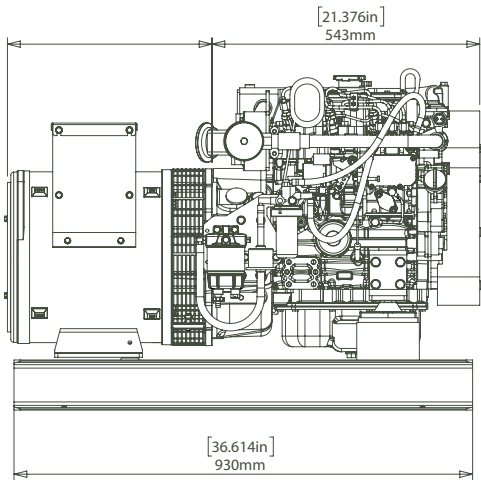


Pictures may show non standard equipment.

General Specifications	
Prime - 60Hz, 1800RPM	9kW / 12.06hp
Standby - 60Hz, 1800RPM	9.9kW / 13.26hp
Engine Model	3CH1
Engine Type	In line, 4 Cycle, 3 Cylinder, Diesel
Displacement	1.3 L / 79.33 cu in
Bore x Stroke	80 x 84 mm / 3.46 x 3.54 in
Aspiration	Naturally Aspirated
Oil Sump Capacity	3.5L / 3.7qt
Emission Regulation	EPA Marine Tier 4
Motor Starting Range - HP	3.6 - 8.6 (Code G Motor @ 208VAC)
Voltage Regulation	+/-1%
Starter	12v / 1.4kW
Alternator	12v / 40Amp
Operating Angle	20° Constant / 30° Intermittent
Dry Weight - lbs	659 total (standard generator)
Cooling	Single Circuit Keel Cooled, Radiator, or Heat Exchanger



Dimensions



Alternate Dimensions	Length - Inches	Weight
281-1502	16.03" (23.1" w/PMG)	220
PI044G	15.7" (18.93" w/EBS)	211

Drawings may show non standard equipment.
 Dimensions are subject to change without notice and/or with the use of alternate generators and cooling systems.
 Please confirm exact configuration if dimensions are critical.

Standard BOLLARD Equipment

- Marathon motor start generator rated 80C/40C for maximum electrical efficiency
- Encapsulated automatic voltage regulator, 1% regulation-no load to full load
- Flush mount digital auto start control panel with 10 harness extension
- Murphy Oil pressure and water temp gauges, LED readout for engine hours, RPM, AC generator HZ & voltage, DC charging voltage
- Automatic safety shutdowns for low oil pressure, high water temp, under/over speed, under/over voltage
- Structural steel welded base frame with vertical and horizontal gusset supports standard SAE fuel supply and return line fittings installed
- Coast Guard approved, powder coated, steel mesh belt guard
- Engineered Isoflex™ anti-vibration mounts between engine/generator and base frame
- Closed crankcase engine ventilation filter system
- Air intake filter/intake silencer – Donaldson style dry element, dual filtration
- See website for a full list of standard and optional equipment or visit the website.



Visit the website for more information.

