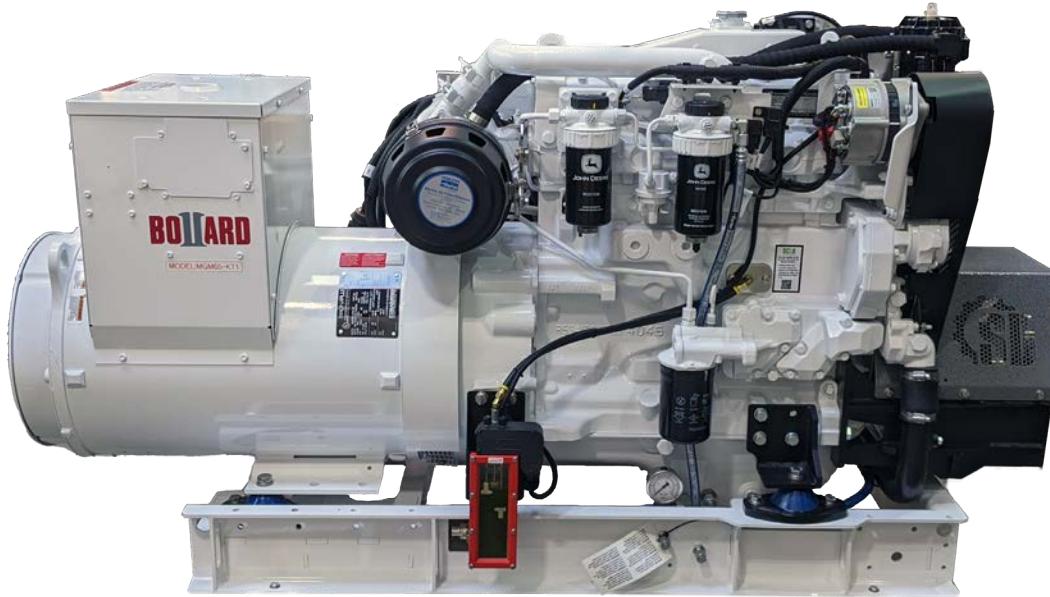


BOLLARD™ MG50

50kW Marine Generator Specifications

50kW

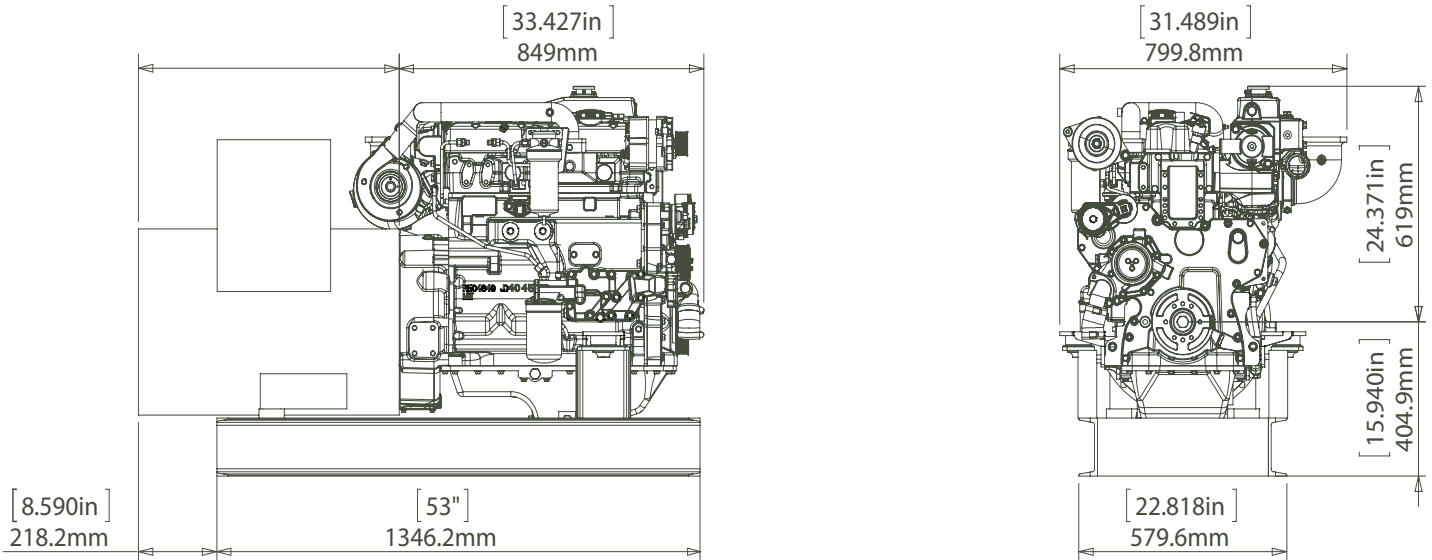


Pictures may show non standard equipment.

General Specifications	
Prime - 60Hz, 1800RPM	50kW / 68.5hp
Standby - 60Hz, 1800RPM	55kW / 73.7hp
Engine Model	4045TFM85
Engine Type	In line, 4 Cycle, 4 Cylinder, Diesel
Displacement	4.5 L / 275 cu in
Bore x Stroke	106 x 127 mm / 4.17 x 5.00 in
Aspiration	Turbocharged fresh water aftercooled
Oil Sump Capacity	18 L / 19 qt
Emission Regulation	EPA Marine Tier 3, IMO II
Motor Starting Range - HP	23.5 - 65 (Code G Motor @ 208VAC)
Voltage Regulation	+/- .25%
Starter	12v / 4.5kW (24v optional)
Alternator	12v / 75Amp (24v optional)
Operating Angle	20° Constant / 30° Intermittent
Dry Weight - lbs	1994 total (standard generator)
Cooling	Single Circuit Keel Cooled, Radiator, or Heat Exchanger



Dimensions



Alternate Dimensions	Length - Inches	Weight
361-1602	24.96" (27.56" w/PMG)	620
UCI274C	28.99" (33.59" w/PMG)	670
UCI274G	31.49" (33.99" w/PMG)	743

Drawings may show non standard equipment.
 Dimensions are subject to change without notice and/or with the use of alternate generators and cooling systems.
 Please confirm exact configuration if dimensions are critical.

Standard BOLLARD Equipment

- Marathon motor start generator rated 80C/40C for maximum electrical efficiency.
- Dedicated PMG excitation with 300% short circuit protection and VFD compatibility.
- Digital parallelable automatic voltage regulator – .25% voltage regulation no load to full load.
- Remote start digital control panel with J1939 diagnostics and 3 extension harness.
- Automatic safety shutdowns for low oil pressure, high water temp and over speed.
- Structural steel welded base frame with vertical and horizontal gusset supports.
- Coast Guard approved JIC fuel supply and return line fittings installed
- Isoflex™ anti-vibration mounts between engine/generator and base frame.
- Visit the website for a full list of standard and optional equipment.

Fuel Consumption		
	L/hr	gal/hr
25%	4.9	1.3
50%	8.2	2.2
75%	12.5	3.3
100%	15.8	4.18
110%	17	4.5



Visit the website for more information.

