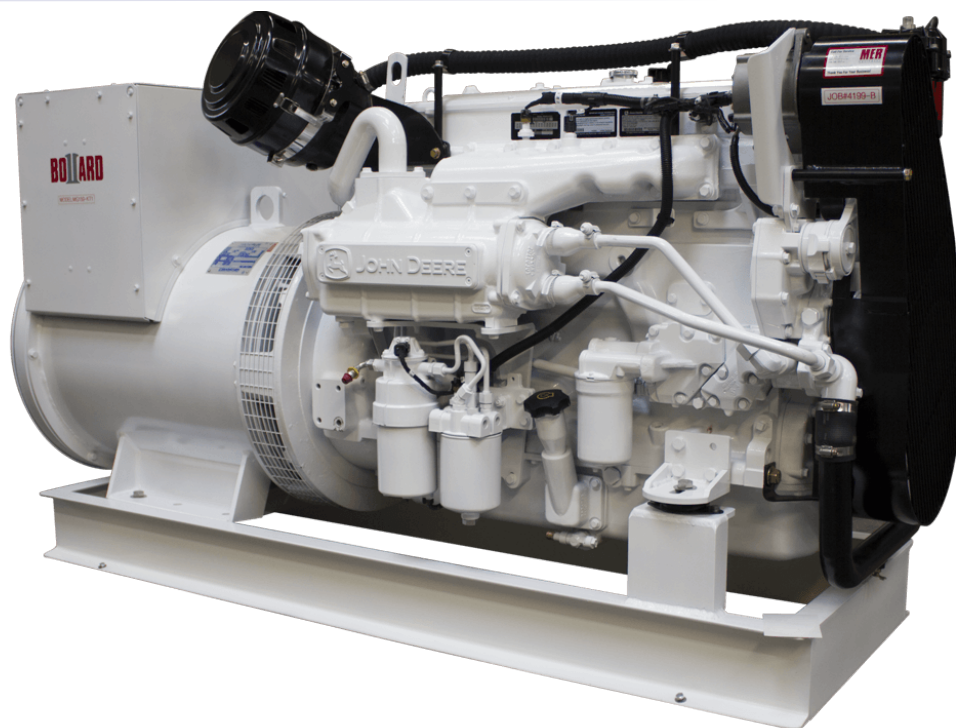


BOLLARD™ MG122

122kW Marine Generator Specifications

122kW

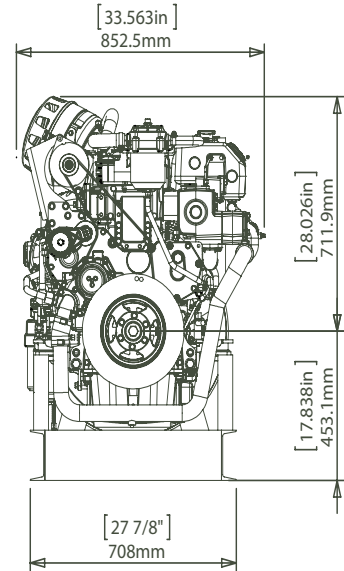
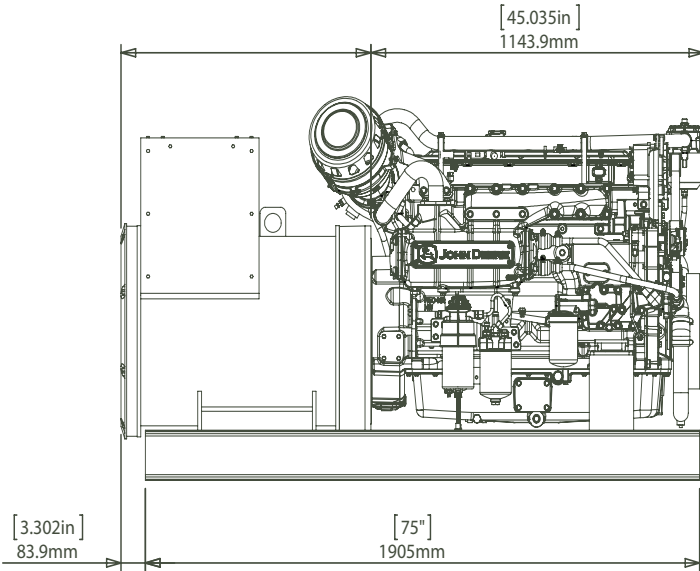


Pictures may show non standard equipment.

General Specifications	
Prime - 60Hz, 1800RPM	122kW / 173hp
Standby - 60Hz, 1800RPM	142kW / 190hp
Engine Model	6068AFM85
Engine Type	In line, 4 Cycle, 6 Cylinder, Diesel
Displacement	6.8 L / 415 cu in
Bore x Stroke	107 x 127 mm / 4.21 x 5.00 in
Aspiration	Turbocharged fresh water aftercooled
Oil Sump Capacity	19 L / 20 qt
Emission Regulation	EPA Marine Tier 3, IMO II
Motor Starting Range - HP	85 (Code G Motor @ 208VAC)
Voltage Regulation	+/- .25%
Starter	12v / 4.5kW (24v optional)
Alternator	12v / 120Amp (24v optional)
Operating Angle	20° Constant / 30° Intermittent
Dry Weight - lbs	3439 total (standard generator)
Cooling	Single Circuit Keel Cooled, Radiator, or Heat Exchanger



Dimensions



Alternate Dimensions	Length - Inches	Weight
364-1608	34.92" (37.28"w/PMG)	1415

Drawings may show non standard equipment.
 Dimensions are subject to change without notice and/or with the use of alternate generators and cooling systems.
 Please confirm exact configuration if dimensions are critical.

Standard BOLLARD Equipment

- Marathon motor start generator rated 80C/40C for maximum electrical efficiency.
- Dedicated PMG excitation with 300% short circuit protection and VFD compatibility.
- Digital parallelable automatic voltage regulator – .25% voltage regulation no load to full load.
- Remote start digital control panel with J1939 diagnostics and 3 extension harness.
- Automatic safety shutdowns for low oil pressure, high water temp and over speed.
- Structural steel welded base frame with vertical and horizontal gusset supports.
- Coast Guard approved JIC fuel supply and return line fittings installed
- Isoflex™ anti-vibration mounts between engine/generator and base frame.
- Visit the website for a full list of standard and optional equipment.

Fuel Consumption		
	L/hr	gal/hr
25%	11.6	3.1
50%	20	5.3
75%	29.6	7.8
100%	38	10
110%	42	11.1



Visit the website for more information.

