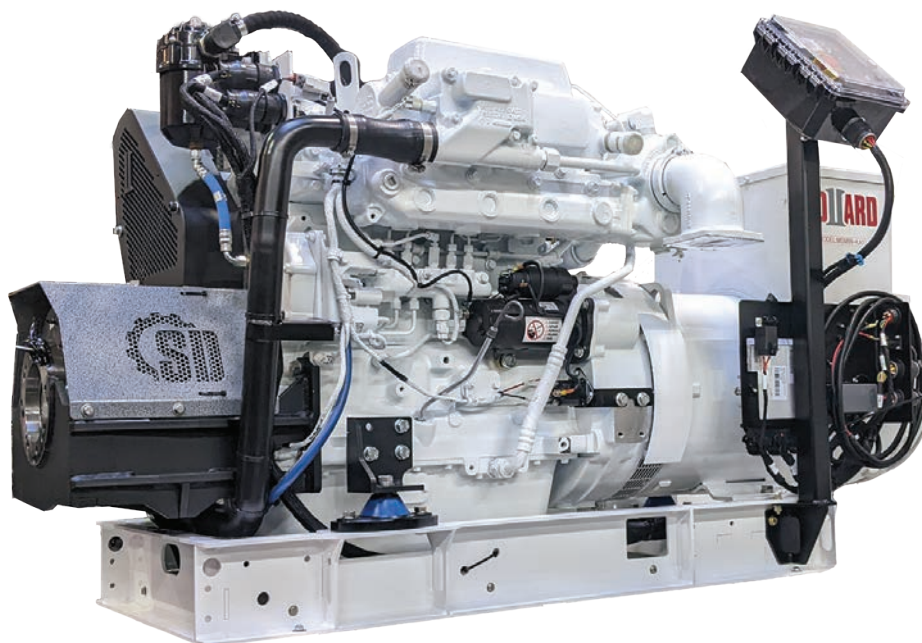


# BOLLARD™ MG104

104kW Marine Generator Specifications

# 104kW

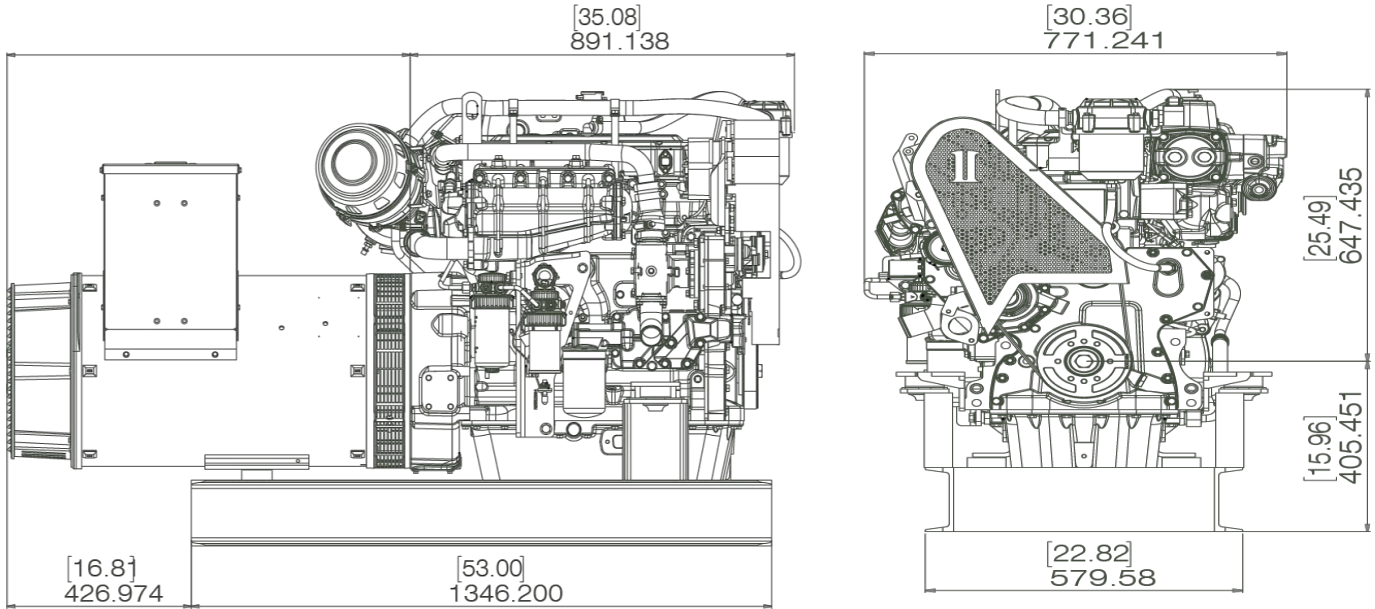


Pictures may show non standard equipment.

General Specifications	
Prime - 60Hz, 1800RPM	104kW / 140hp
Standby - 60Hz, 1800RPM	114kW / 153hp
Engine Model	4045AFM85
Engine Type	In line, 4 Cylinder, Diesel
Displacement	4.8 L / 275 cu in
Bore x Stroke	107 x 127 mm / 4.21 x 5.00 in
Aspiration	Turbocharged fresh water aftercooled
Oil Sump Capacity	18 L / 19 qt
Emission Regulation	EPA Marine Tier 3, IMO II
Motor Starting Range - HP	39.75 - 99 (Code G Motor @ 208VAC)
Voltage Regulation	+/- .25%
Starter	12v / 4.5kW (24v optional)
Alternator	12v / 75Amp (24v optional)
Operating Angle	20° Constant / 30° Intermittent
Dry Weight - lbs	2456 total (standard generator)
Cooling	Single Circuit Keel Cooled, Radiator, or Heat Exchanger



## Dimensions



Alternate Dimensions	Length - Inches	Weight
363-1607	31.72" (36.32" w/PMG)	943
UCI274E	35.98" (38.48" w/PMG)	1084

Drawings may show non standard equipment.  
 Dimensions are subject to change without notice and/or with the use of alternate generators and cooling systems.  
 Please confirm exact configuration if dimensions are critical.

### Standard BOLLARD Equipment

- Marathon motor start generator rated 80C/40C for maximum electrical efficiency.
- Dedicated PMG excitation with 300% short circuit protection and VFD compatibility.
- Digital parallelable automatic voltage regulator – .25% voltage regulation no load to full load.
- Remote start digital control panel with J1939 diagnostics and 3 extension harness.
- Automatic safety shutdowns for low oil pressure, high water temp and over speed.
- Structural steel welded base frame with vertical and horizontal gusset supports.
- Coast Guard approved JIC fuel supply and return line fittings installed
- Isoflex™ anti-vibration mounts between engine/generator and base frame.
- Visit the website for a full list of standard and optional equipment.

Fuel Consumption		
	L/hr	gal/hr
25%	9.1	2.4
50%	16.1	4.3
75%	22.4	5.9
100%	28.9	7.6
110%	31.6	8.3



Visit the website for more information.

