

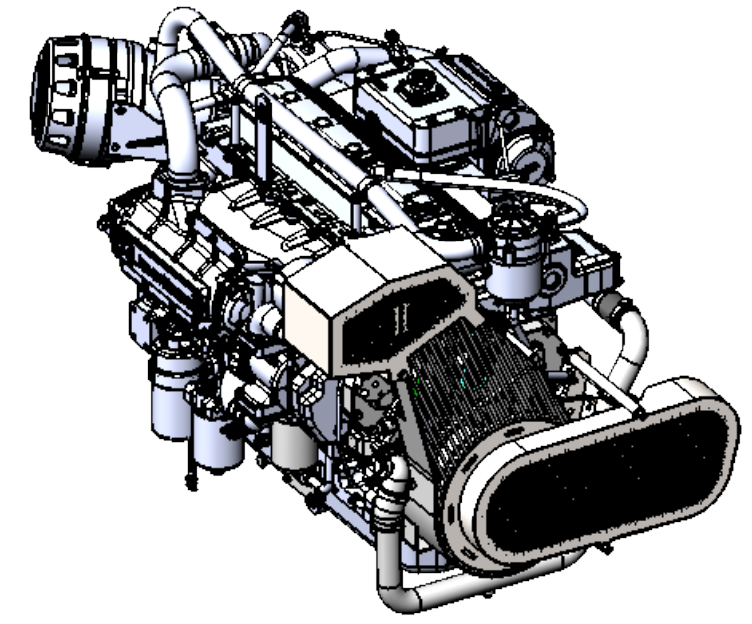
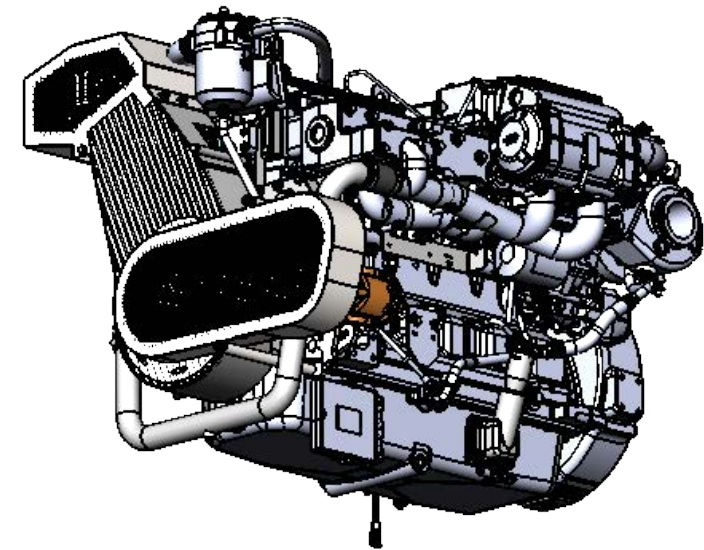
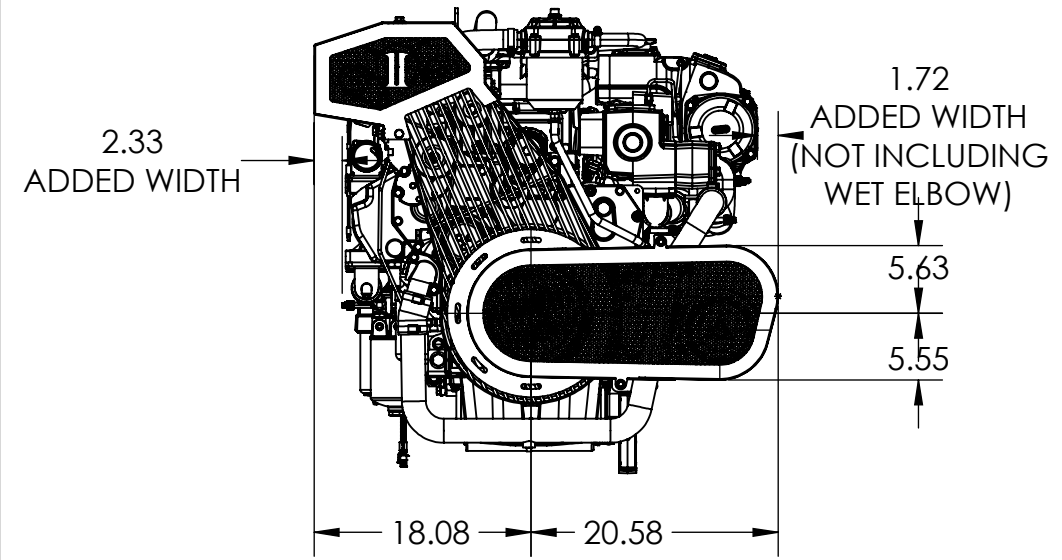
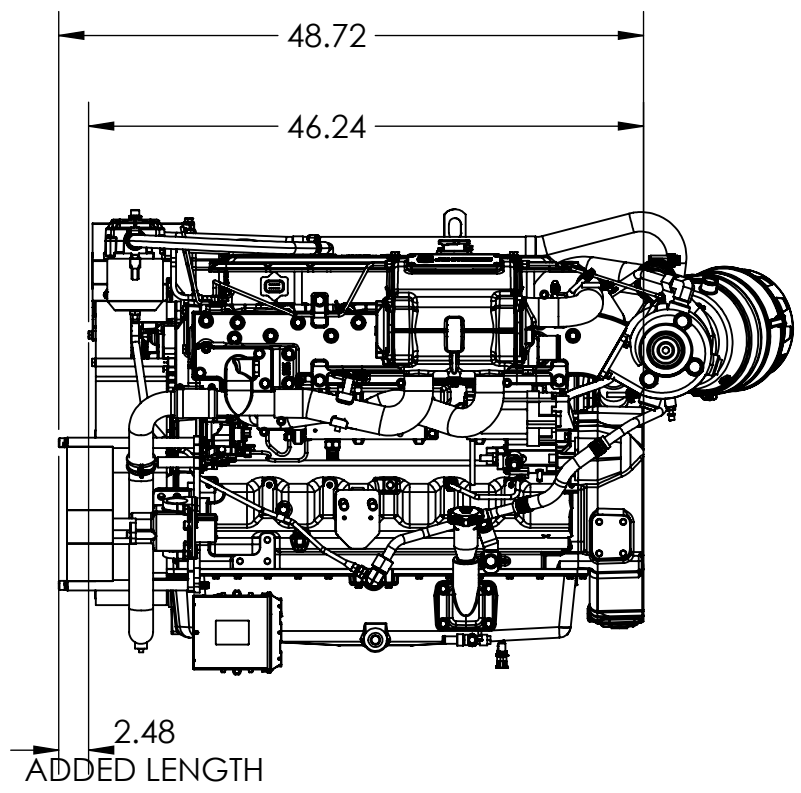
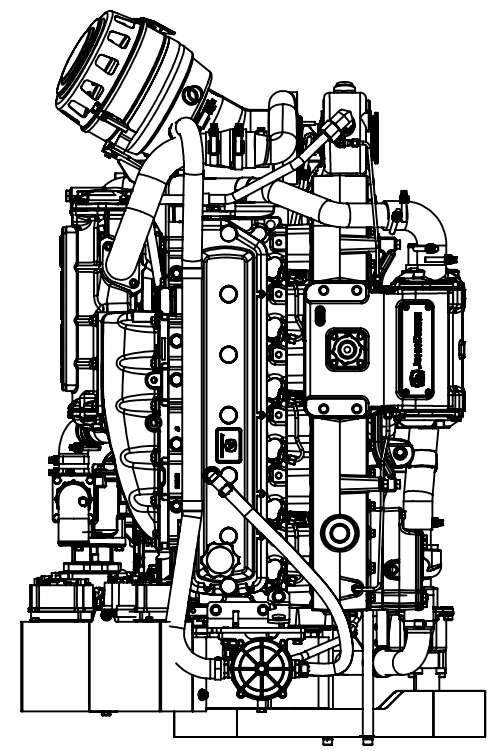
4

3

2

1

REVISIONS				
ZONE	REV.	DESCRIPTION	DATE	APPROVED
	A	INITIAL PRODUCTION RELEASE	7/30/2020	TA



PROPRIETARY AND CONFIDENTIAL
 THE INFORMATION CONTAINED IN THIS DRAWING IS THE SOLE PROPERTY OF MER EQUIPMENT. ANY REPRODUCTION IN PART OR AS A WHOLE WITHOUT THE WRITTEN PERMISSION OF MER EQUIPMENT IS PROHIBITED.

UNLESS OTHERWISE SPECIFIED:	NAME	DATE
DIMENSIONS ARE IN INCHES	DRAWN	TA
TOLERANCES:	CHECKED	7/30/20
FRACTIONAL ±1/32	ENG APPR.	
ANGULAR: MACH ±1 BEND ±1	MFG APPR.	
TWO PLACE DECIMAL ±.030	Q.A.	
THREE PLACE DECIMAL ±.005	COMMENTS:	
INTERPRET GEOMETRIC TOLERANCING PER:		
MATERIAL		
FINISH		
DO NOT SCALE DRAWING		

MER Equipment		
DESC: JD 6068SFM85 H/E ENGINE W/ DUAL ALTERNATOR KIT & OBERDORFER USCG CRASH PUMP		
PART NO. 6068T3M PROP, ALT10014, WP10007		
SIZE B	DWG. NO. 6068T3M PROP, ALT10014, WP10007 DRA	REV A
SCALE: 1:16	WEIGHT:	SHEET 1 OF 1

4

3

2

1

B

B

A

A