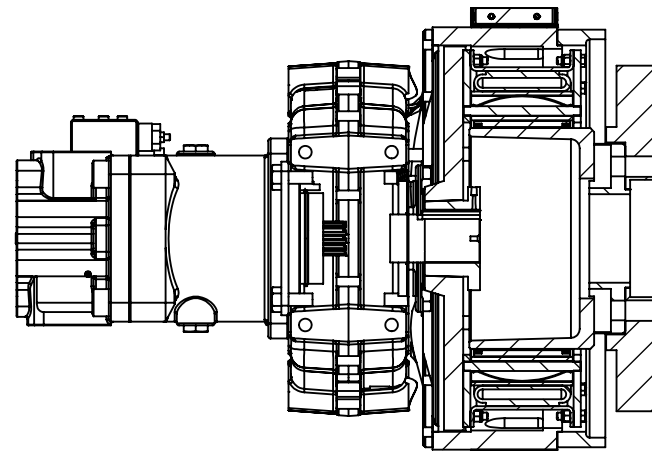
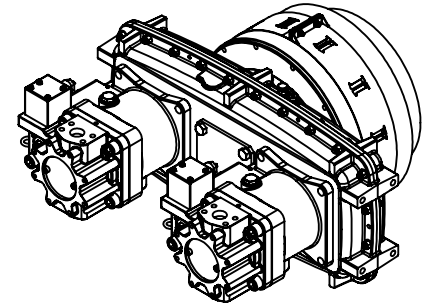
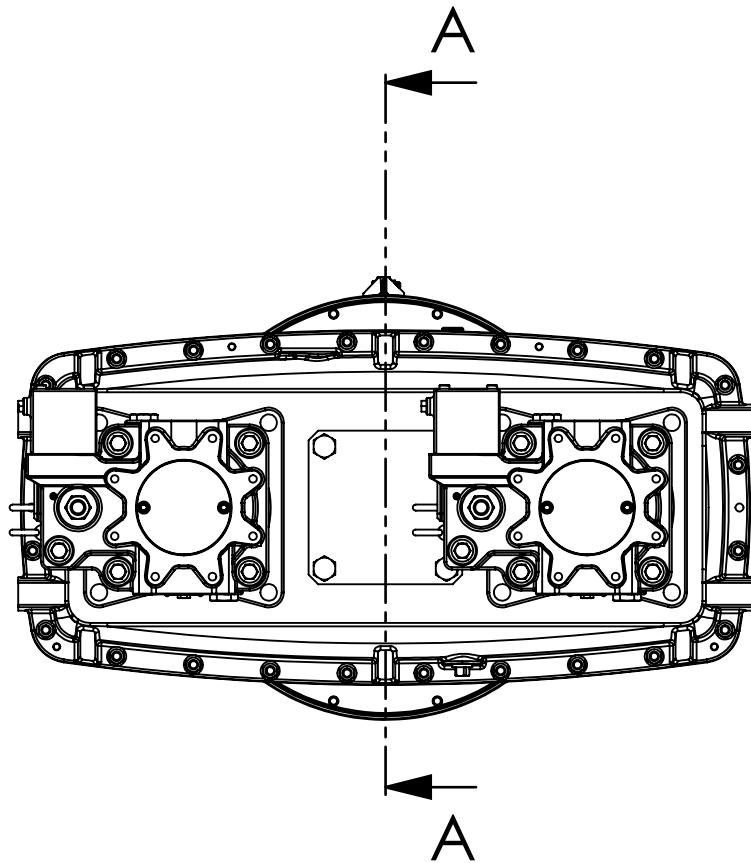


| REVISION (BOTH PART AND DRAWING REVISIONS) |                            |      |            |
|--|----------------------------|------|------------|
| REV.                                       | DESCRIPTION                | DATE | CHANGED BY |
| A  | INITIAL PRODUCTION RELEASE |      |            |



## SECTION A-A

SCALE 1 : 10



D20 gear box and spider are revised for -6 O-Ring thread for the air supply tube. Uses Spider 34821, not 34821A. The Part numbers for the fittings are

Qty 1 34990, T-fitting, -6 tube

Qty 2 34992, 90 degree elbow

The D20 also has right hand thread for the erotorseal

The D28 box and spider were fitted with NPT Fittings. The model has Yor-lok fittings, but we used A-lok instead, because they are better.

|  |                 |         |                                 |   |                 |
|--|-----------------|---------|---------------------------------|---|-----------------|
| UNLESS OTHERWISE SPECIFIED:  | NAME            | DATE    | <b>MER Equipment</b>            |   |                 |
| TOLERANCES IN INCHES:<br>FRACTIONAL $\pm 1/32$<br>ANGULAR: MACH $\pm 1$ BEND $\pm 1$<br>TWO PLACE DECIMAL $\pm .030$<br>THREE PLACE DECIMAL $\pm .005$   | DRAWN<br>TA     | 3/22/19 |                                 |   |                 |
| INTERPRET GEOMETRIC TOLERANCING PER:   | CHECKED         |         | PART NO.<br>3512A DS20 PTO      |   |                 |
| MATERIAL   | MFG APPR.       |         | DWG. NUMBER: 3512A DS20 PTO-DRA |   |                 |
| FINISH   | Q.A.            |         | SIZE<br><b>A</b>                | DESCRIPTION:<br>fPTO Kit, 3512A w/ TWG DS28 Double Hydraulic Pump Drive & Pneumatic Constriction Clutch. Fits CAT front bell housing. | REV<br><b>A</b> |
| <b>DO NOT SCALE DRAWING</b>  | REVISION NEEDED |         |                                 |   |                 |
| <b>PROPRIETARY AND CONFIDENTIAL</b><br>THE INFORMATION CONTAINED IN THIS DRAWING IS THE SOLE PROPERTY OF <b>MER EQUIPMENT</b> . ANY REPRODUCTION IN PART OR AS A WHOLE WITHOUT THE WRITTEN PERMISSION OF <b>MER EQUIPMENT</b> IS PROHIBITED. |                 |         |                                 |   |                 |