

SEAFIRE™ ALPHA I Series

Marine & Industrial Lighting Specifications

180W



Features & Benefits

Marine Grade Construction

- SeaFire Marine LEDs were built to keep working even in the harshest of environments. They have built in protection against heat, humidity, salt water and dust as high and low pressure build up from rapid heat/cool cycles. (see below)

- The ALPHA I features a solid cast aluminum housing with DACROMET™ self healing zinc and aluminum plating for excellent corrosion resistance and durability.

Heavy Duty Stainless Steel Hardware

- Oversized 1/4" thick 316 SS brackets and 316 SS hardware for strength and excellent corrosion resistance. Our brackets feature a 45° offset, 30° base pivot, 180° housing pivot for ultimate control and versatility. Each bracket includes a universal bolt pattern and for easy retrofitting and installation. (See back for details)

Waterproof Up To 30ft. (IP68)

- ALPHA series lights use heavy duty neoprene gasketing and silicon on all mating surfaces to completely protect the electrical components and diodes from dust, salt water, and high or low pressure zones. ALPHA series products are IP68 rated up to 30ft (10m).

Powerful And Efficient

- The ALPHA I series uses powerful OSRAM™ LED arrays with an impressive 120:1 Lumen to Watt ratio. This allows for the ALPHA I to provide an extreme 21,600 lumens in a compact design while only using 180 Watts.

High Uniformity And Color Rendering

- ALPHA series lights are available in both 4000K (warm/yellow) and 6000K (cool/white) color temperatures for a variety of applications and preferences. The ALPHA I is able to provide high uniformity and ≥Ra75 on the Color Rendering Index; ensuring vivid and accurate color.

Replaces Traditional Sodium, Metal Halide Lighting

- Using high efficiency LEDs the ALPHA I is able to provide comparable output to a traditional 500W Sodium or Metal Halide system at less than half the power; Saving you fuel improving your bottom line.

Instant Start And Flicker Free

- Unlike in traditional Metal Halide or Sodium lights, SeaFire LEDs don't have a heat up cycle or need a restrike after a voltage dip. The ALPHA I turns on instantly and, due to it's low voltage and low power consumption, stay on even if the generator staggers.

Versatile Power With Built In Surge Protection

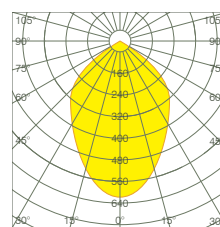
- ALPHA series lights are available in 80-400VDC or 80-315 VAC for installation in a variety of applications and electrical systems. (specify upon order)

General Specifications

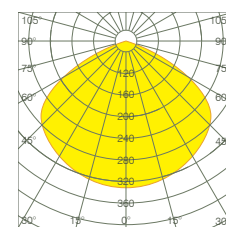
Series	Alpha I
Power Consumption	180 W
Initial Lumen Flux	21600lm
Replace HID Lamp	200-500 W
Dimensions (W, H, D)	360 x 323 x 163 mm
Net Weight	17.6 lbs
Beam Angle	60° / 120° / 140°x60°
Color Temperature	4000 K (warm) / 6000 K (cool)
Color Rendering	≥ Ra75
Working Life	≥ 50000 Hrs
Housing Material	Cast Aluminum
Coating	DACROMET™ Zinc & Aluminum Plating
Waterproofing	IP 68 (Up to 30ft)
Working Temperature	-40 C ~ 60 C / -40 F ~ 140 F
Working Humidity	10% ~ 95%
AC Input	80 ~ 315 Vac
DC Input	80 ~ 400 Vdc
Power Factor	≥ 0.98

Performance Graphs

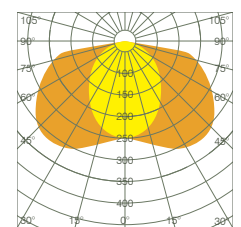
● C0-C180 ● C90-C270



60° Lens
(Polar Graph)



120° Lens
(Polar Graph)



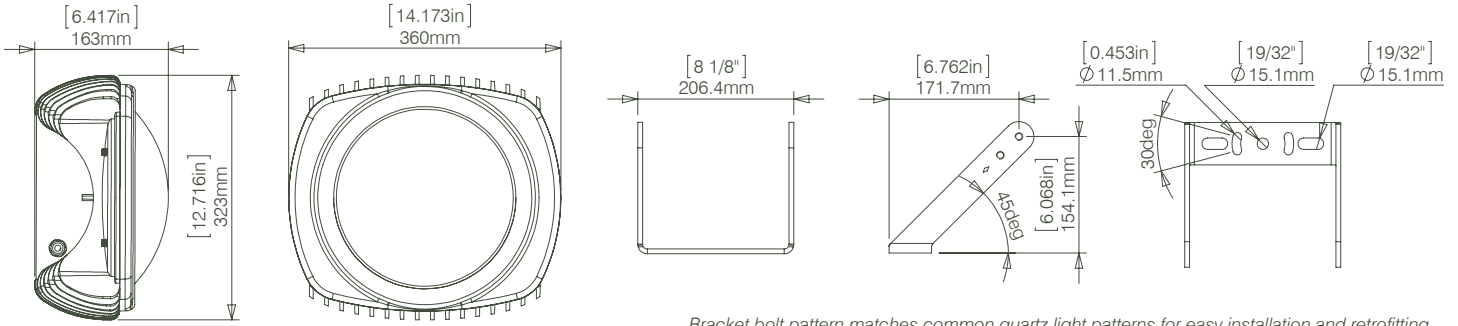
140x60° Lens
(Polar Graph)

Luminaire & Manufacturer's Certifications



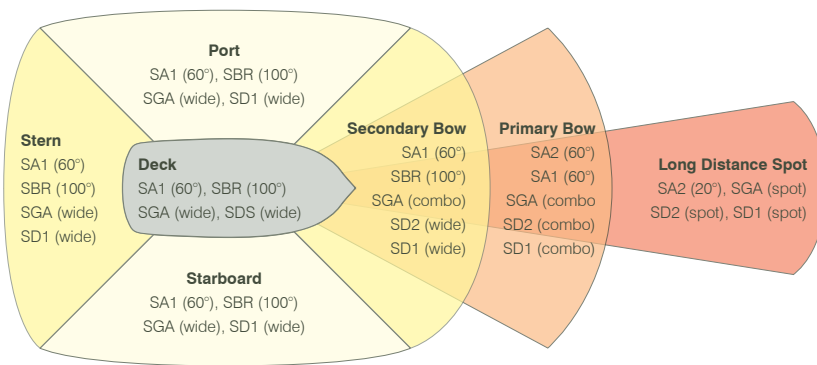
SEAFIRE
MARINE LED

Dimensions



Bracket bolt pattern matches common quartz light patterns for easy installation and retrofitting

Lighting Zones



Model (lens)	Lumens (lm)	Distance (m)
SA2 Alpha II (20°)	44,000 (400W)	620
SA2 Alpha II (60°)	48,000 (400W)	339
SA1 Alpha I (60°)	21,600 (180W)	228
SBR Bravo (100°)	7,700 (70W)	107
SGA Gamma (spot)	6450 (63W)	675
SGA Gamma (combo)	6450 (63W)	478
SGA Gamma (wide)	6450 (63W)	300
SD2 Delta II (spot)	4300 (42W)	372
SD2 Delta II (combo)	4300 (42W)	330
SD2 Delta II (wide)	4300 (42W)	252
SD1 Delta I (spot)	4300 (42W)	310
SD1 Delta I (combo)	4300 (42W)	275
SD1 Delta I (wide)	4300 (42W)	210

Beam Angle: The usable portion of the cone defined at the point where candlepower (intensity) falls to 50% of the candlepower at the center.

Spot: Focused beam for long range applications. Designed to be used in conjunction with other wider beam patterns.

Wide: Near field for cornering and side lighting applications. Even distribution great for foggy conditions. Designed to be used in conjunction with longer beam patterns.

Cruising / Combo: Maximum coverage, equipped with both wide and spot optics, providing you with a smooth blend of light for near field and distance applications.

Lumens and Distance values are the maximum rating at 0° (on center). Distance values are recorded when LUX falls to .25 (nearly invisible).

Actual brightness will vary at distance (see performance graphs for details)

Gamma lightbars come in 10° increments each producing 6450lm @ 63W, up to a maximum of 50° producing 32250 @ 315W.

Model Number Definitions

SA1-180 60 060

SeaFire Model / Series

SA1 | SeaFire ALPHA I
SA2 | SeaFire ALPHA II
SBR | SeaFire BRAVO
SD1 | SeaFire DELTA I
SD2 | SeaFire DELTA II
SGA | SeaFire GAMMA

Maximum Power Consumption

Measured in Watts

The total power used in order to produce desired lumens.

Color Temperature

Measured In Kelvin (x100)
40 | 4000K (yellow/warm)
50 | 5000K (white/natural)
60 | 6000K (white/cool)

The hue of color per the Kelvin Scale.

Beam Angle

Measured In Degrees

The useable portion of the cone defined at the point where candlepower falls to 50% of the candlepower at the center.