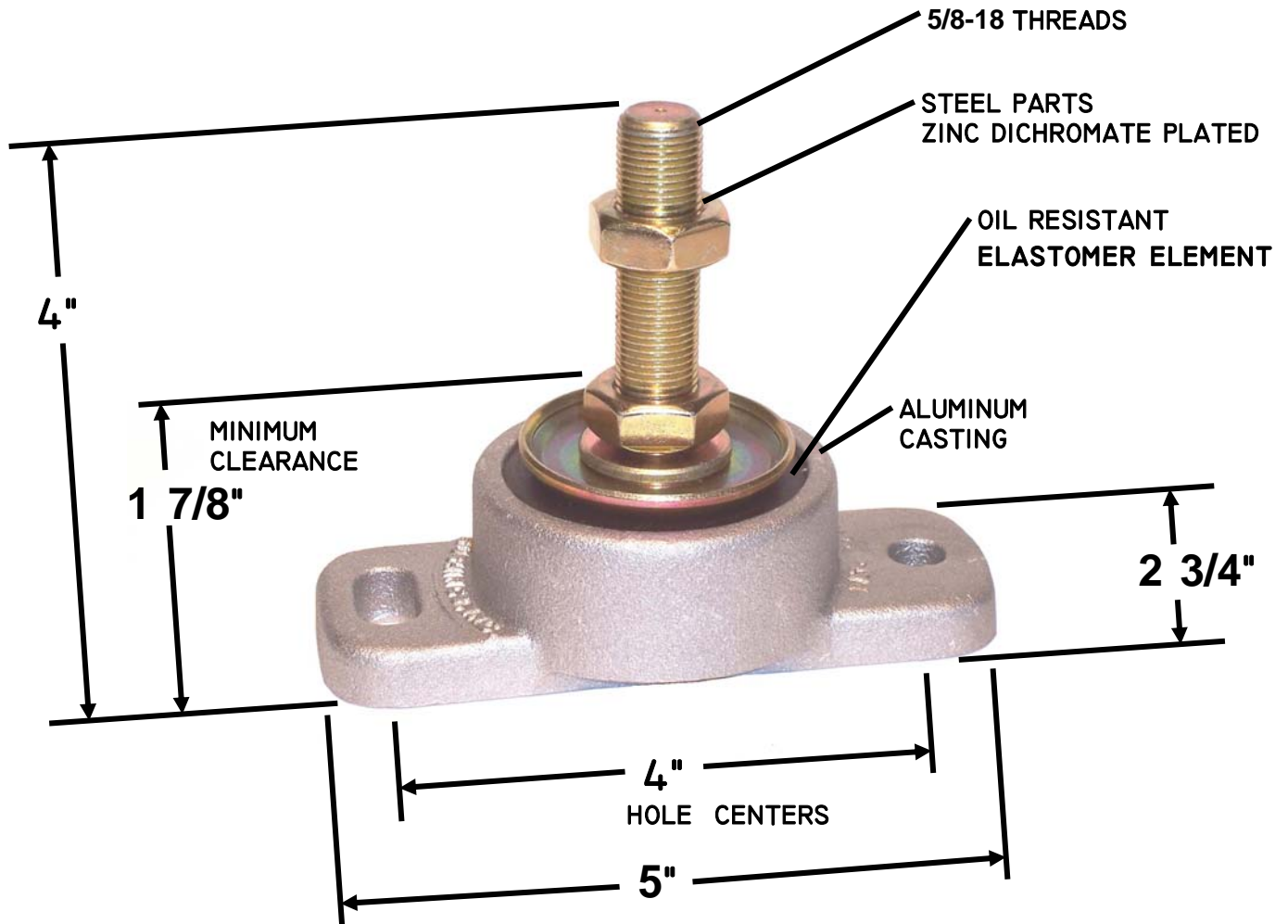


DUAL-FLEX MARINE & INDUSTRIAL ENGINE VIBRATION ISOLATORS DF-100



Patented
Manufactured in U.S.A.

DF-100

The ("Dual Flex") DF-100 Engine Mount features heavy duty cast aluminum alloy construction with a durable oil and fuel resistant elastomer element for long life. Lowest profile mount-requires only 1 7/8" minimum clearance from casting base to top of leveling nut. Easy installation with threaded 5/8" stud for vertical height

adjustment, furnished complete with leveling, and locking nuts.

Aluminum base cast with one 3/8” mounting hole and one slotted hole for either 3/8” bolts or lag screws, on 4” centers. All steel parts are zinc dichromate plated for corrosion resistance.

Recommended for 4 point mountings up to 850 pounds.

SUGGESTED MOUNTINGS	
ENGINE WEIGHTS	4 POINT MOUNTINGS
Up to 850 lbs	DF-100

The patented Bushings, Inc. “Dual Flex” Marine Engine Mount design provides outstanding vibration isolation control across the three (longitudinal, lateral, and vertical) fields of vibratory motion. Construction of the mount gives a soft cushioning effect under normal loads, as mount loads increase across the operating range, shear resistance grows quickly providing smooth operation with a small amount of deflection.