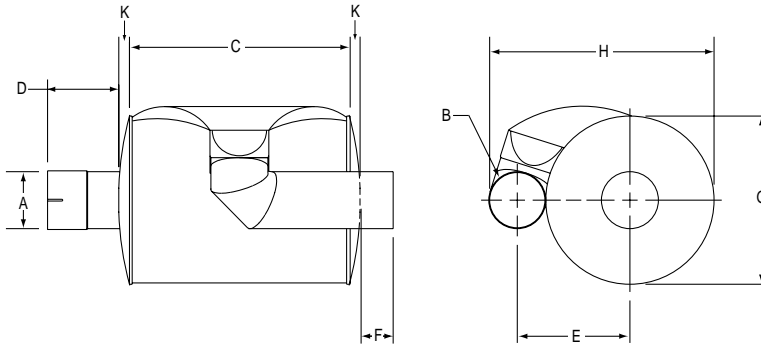




## TXS Critical Grade - TR Model

Typical Insertion Loss 28-33 dbA\*



### Features

- Compact Spiral Chamber Design
- Premium Silencing
- Low Back Pressure
- Low Weight
- Aluminized Steel Construction  
Maximum Temp: 1200 F (650 C)
- Standard High-Temperature Finish
- All MIG Welded Construction
- Steel Wool and Mesh Liner
- Slip-fit Connections Standard

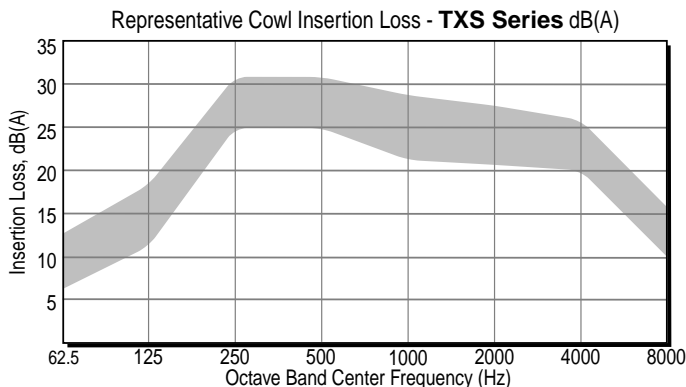
### Options

- Factory Customization Available
- 316L Stainless Steel Construction
- Reverse Flow
- Inlet/Outlet Configurations
- 125/150# A.N.S.I. Flange Connections
- Male/Female N.P.T. Connections
- Exterior Finishes
- Complete line of Accessories and Mounting Brackets

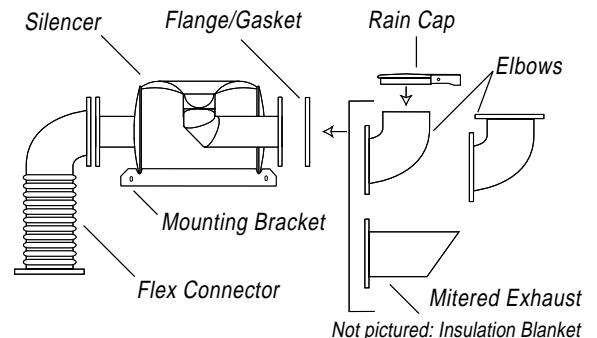
\*Actual insertion loss value may vary by application.  
All measurements in inches unless otherwise noted.

COWL Model No.	COWL Part No.	Inlet A dia. (I.D.)	Outlet B dia. (O.D.)	C	D	E	F	G	H	K	Approximate Weight
TXS15TR	TXS15TRS000	1.50	1.50	5.24	2.50	5.19	2.07	8.81	10.38	0.50	14 lbs
TXS20TR	TXS20TRS000	2.00	2.00	7.24	3.50	5.41	2.07	8.81	10.81	0.50	19 lbs
TXS25TR	TXS25TRS000	2.50	2.50	8.24	3.25	7.16	1.82	11.81	14.31	0.75	32 lbs
TXS30TR	TXS30TRS000	3.00	3.00	9.24	5.00	9.53	2.07	16.06	19.06	1.00	52 lbs
TXS35TR	TXS35TRS000	3.50	3.50	11.49	5.00	9.78	2.07	16.06	19.56	1.00	63 lbs
TXS40TR	TXS40TRS000	4.00	4.00	15.49	5.00	10.03	2.07	16.06	20.06	1.00	77 lbs
TXS45TR	TXS45TRS000	4.50	4.50	12.49	4.55	11.94	1.46	19.38	23.88	1.45	81 lbs
TXS50TR	TXS50TRS000	5.00	5.00	16.49	4.55	12.19	2.12	19.38	24.38	1.45	98 lbs
TXS60TR	TXS60TRS000	6.00	6.00	22.49	4.55	12.69	2.05	19.38	25.38	1.45	137 lbs
TXS70TR	TXS70TRS000	8.00	8.00	15.41	6.55	17.25	3.97	26.50	34.50	1.45	147 lbs
TXS80TR	TXS80TRS000	8.00	8.00	24.33	6.55	17.25	3.97	26.50	34.50	1.45	227 lbs
TXS100TR	TXS100TRS000	10.00	10.00	30.08	6.25	22.00	2.62	34.00	44.00	1.75	375 lbs
TXS120TR	TXS120TRS000	12.00	12.00	36.08	5.75	26.00	3.71	40.00	52.00	2.25	532 lbs

TXS-TR



### Engine Exhaust Silencer & Accessories



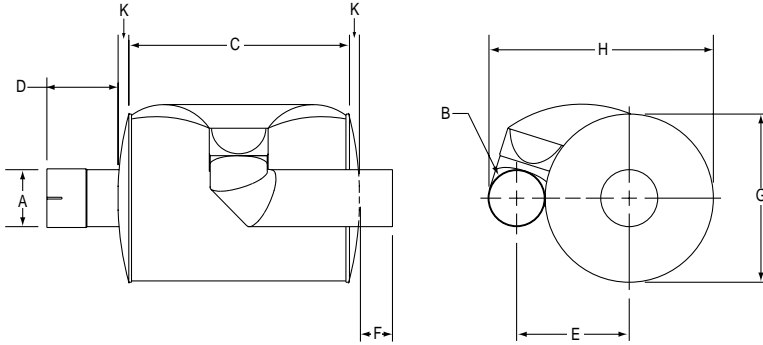
MER Equipment, a Division of Marine Engine & Repair Company  
 338 West Nickerson, Seattle WA 98119  
 Local (206)286-1817, Toll Free (800)777-0714, Fax (206)286-1917  
 Web Site merequipment.com E-mail info@merequipment.com



## TXS Critical Grade - TR Model

Typical Insertion Loss 28-33 dbA\*

Metric Units



### Features

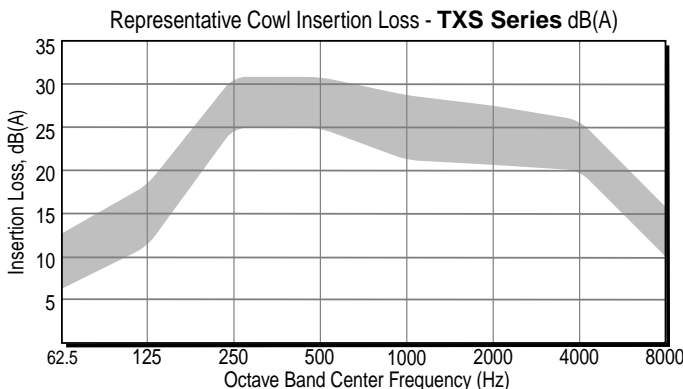
- Compact Spiral Chamber Design
- Premium Silencing
- Low Back Pressure
- Low Weight
- Aluminized Steel Construction  
Maximum Temp: 1200 F (650 C)
- Standard High-Temperature Finish
- All MIG Welded Construction
- Steel Wool and Mesh Liner
- Slip-fit Connections Standard

### Options

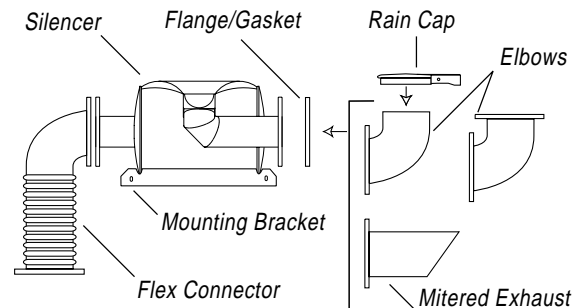
- Factory Customization Available
- 316L Stainless Steel Construction
- Reverse Flow
- Inlet/Outlet Configurations
- 125/150# A.N.S.I. Flange Connections
- Male/Female N.P.T. Connections
- Exterior Finishes
- Complete line of Accessories and Mounting Brackets

\*Actual insertion loss value may vary by application.  
All measurements in millimeters unless otherwise noted.

COWL Model No.	COWL Part No.	Inlet A dia. (I.D.)	Outlet B dia. (O.D.)	C	D	E	F	G	H	K	Approximate Weight
TXS15TR	TXS15TRS000	38	38	133	64	132	53	224	264	13	7 kg
TXS20TR	TXS20TRS000	51	51	184	89	137	53	224	275	13	9 kg
TXS25TR	TXS25TRS000	64	64	209	83	182	46	300	363	19	15 kg
TXS30TR	TXS30TRS000	76	76	235	127	242	53	408	484	25	24 kg
TXS35TR	TXS35TRS000	89	89	292	127	248	53	408	497	25	29 kg
TXS40TR	TXS40TRS000	102	102	393	127	255	53	408	510	25	35 kg
TXS45TR	TXS45TRS000	114	114	317	116	303	37	492	607	37	37 kg
TXS50TR	TXS50TRS000	127	127	419	116	310	54	492	619	37	45 kg
TXS60TR	TXS60TRS000	152	152	571	116	322	52	492	645	37	63 kg
TXS70TR	TXS70TRS000	203	203	391	166	438	101	673	876	37	67 kg
TXS80TR	TXS80TRS000	203	203	618	166	438	101	673	876	37	103 kg
TXS100TR	TXS100TRS000	254	254	764	159	559	67	864	1118	44	171 kg
TXS120TR	TXS120TRS000	305	305	916	146	660	94	1016	1321	57	242 kg



### Engine Exhaust Silencer & Accessories



Not pictured: Insulation Blanket

MER Equipment, a Division of Marine Engine & Repair Company  
338 West Nickerson, Seattle WA 98119

Local (206)286-1817, Toll Free (800)777-0714, Fax (206)286-1917

Web Site [merequipment.com](http://merequipment.com) E-mail [info@merequipment.com](mailto:info@merequipment.com)