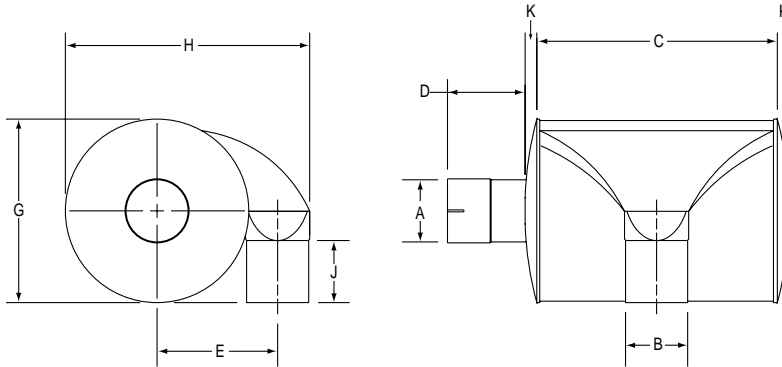




## TXS Critical Grade - PR Model

Typical Insertion Loss 28-33 dbA\*



### Features

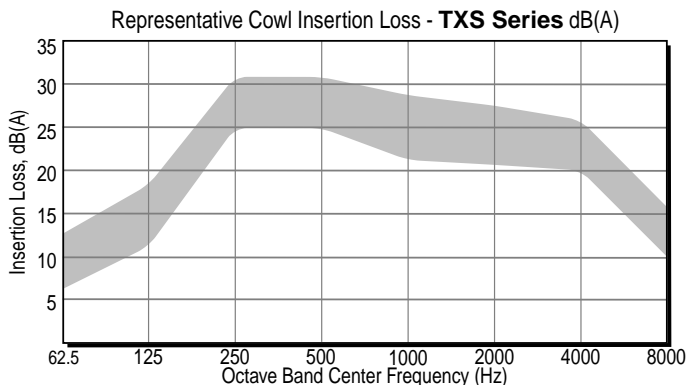
- Compact Spiral Chamber Design
- Premium Silencing
- Low Back Pressure
- Low Weight
- Aluminized Steel Construction  
Maximum Temp: 1200 F (650 C)
- Standard High-Temperature Finish
- All MIG Welded Construction
- Steel Wool and Mesh Liner
- Slip-fit Connections Standard

### Options

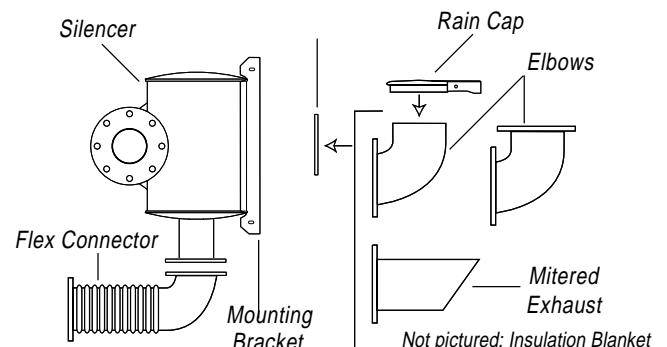
- Factory Customization Available
- 316L Stainless Steel Construction
- Reverse Flow
- Inlet/Outlet Configurations
- 125/150# A.N.S.I. Flange Connections
- Male/Female N.P.T. Connections
- Exterior Finishes
- Complete line of Accessories and Mounting Brackets

\*Actual insertion loss value may vary by application.  
All measurements in inches unless otherwise noted.

| COWL Model No. | COWL Part No. | Inlet A dia. (I.D.) | Outlet B dia. (O.D.) | C     | D    | E     | G     | H     | J     | K    | Approximate Weight |
|----------------|---------------|---------------------|----------------------|-------|------|-------|-------|-------|-------|------|--------------------|
| TXS15PR        | TXS15PRS000   | 1.50                | 1.50                 | 5.24  | 2.50 | 4.85  | 8.81  | 10.03 | 4.41  | 0.50 | 12 lbs             |
| TXS20PR        | TXS20PRS000   | 2.00                | 2.00                 | 7.24  | 3.50 | 5.00  | 8.81  | 10.49 | 4.41  | 0.50 | 17 lbs             |
| TXS25PR        | TXS25PRS000   | 2.50                | 2.50                 | 8.24  | 3.25 | 6.45  | 11.81 | 13.67 | 5.91  | 0.75 | 31 lbs             |
| TXS30PR        | TXS30PRS000   | 3.00                | 3.00                 | 9.24  | 5.00 | 8.60  | 16.06 | 18.20 | 8.03  | 1.00 | 53 lbs             |
| TXS35PR        | TXS35PRS000   | 3.50                | 3.50                 | 11.49 | 5.00 | 8.82  | 16.06 | 18.61 | 8.03  | 1.00 | 61 lbs             |
| TXS40PR        | TXS40PRS000   | 4.00                | 4.00                 | 15.49 | 5.00 | 9.37  | 16.06 | 19.46 | 8.03  | 1.00 | 75 lbs             |
| TXS45PR        | TXS45PRS000   | 4.50                | 4.50                 | 12.49 | 4.55 | 11.32 | 19.38 | 23.32 | 9.69  | 1.45 | 80 lbs             |
| TXS50PR        | TXS50PRS000   | 5.00                | 5.00                 | 16.49 | 4.55 | 11.54 | 19.38 | 23.79 | 9.69  | 1.45 | 97 lbs             |
| TXS60PR        | TXS60PRS000   | 6.00                | 6.00                 | 22.49 | 4.55 | 11.98 | 19.38 | 24.73 | 9.69  | 1.45 | 124 lbs            |
| TXS70PR        | TXS70PRS000   | 8.00                | 8.00                 | 15.41 | 6.55 | 16.87 | 26.50 | 34.12 | 13.25 | 1.45 | 140 lbs            |
| TXS80PR        | TXS80PRS000   | 8.00                | 8.00                 | 24.33 | 6.55 | 16.87 | 26.50 | 34.12 | 13.25 | 1.45 | 216 lbs            |
| TXS100PR       | TXS100PRS000  | 10.00               | 10.00                | 30.08 | 6.25 | 21.28 | 34.00 | 43.34 | 17.00 | 1.75 | 350 lbs            |
| TXS120PR       | TXS120PRS000  | 12.00               | 12.00                | 36.08 | 5.75 | 24.70 | 40.00 | 50.76 | 20.00 | 2.25 | 511 lbs            |



### Engine Exhaust Silencer & Accessories



MER Equipment, a Division of Marine Engine & Repair Company  
338 West Nickerson, Seattle WA 98119

Local (206)286-1817, Toll Free (800)777-0714, Fax (206)286-1917

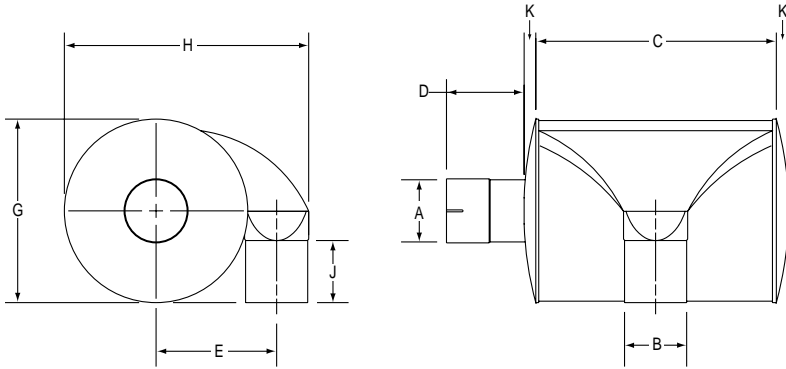
Web Site [merequipment.com](http://merequipment.com) E-mail [info@merequipment.com](mailto:info@merequipment.com)



## TXS Critical Grade - PR Model

Typical Insertion Loss 28-33 dbA\*

Metric Units



### Features

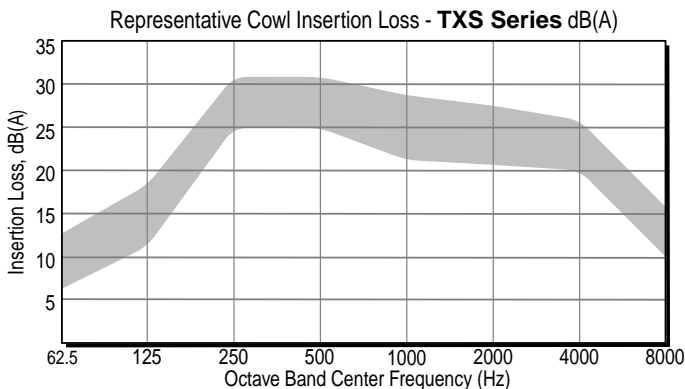
- Compact Spiral Chamber Design
- Premium Silencing
- Low Back Pressure
- Low Weight
- Aluminized Steel Construction  
Maximum Temp: 1200 F (650 C)
- Standard High-Temperature Finish
- All MIG Welded Construction
- Steel Wool and Mesh Liner
- Slip-fit Connections Standard

### Options

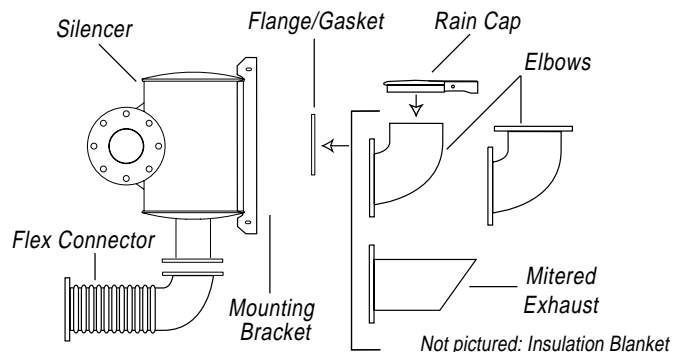
- Factory Customization Available
- 316L Stainless Steel Construction
- Reverse Flow
- Inlet/Outlet Configurations
- 125/150# A.N.S.I. Flange Connections
- Male/Female N.P.T. Connections
- Exterior Finishes
- Complete line of Accessories and Mounting Brackets

\*Actual insertion loss value may vary by application.  
All measurements in millimeters unless otherwise noted.

| COWL Model No. | COWL Part No. | Inlet A dia. (I.D.) | Outlet B dia. (O.D.) | C   | D   | E   | G    | H    | J   | K  | Approximate Weight |
|----------------|---------------|---------------------|----------------------|-----|-----|-----|------|------|-----|----|--------------------|
| TXS15PR        | TXS15PRS000   | 38                  | 38                   | 133 | 64  | 123 | 224  | 255  | 112 | 13 | 6 kg               |
| TXS20PR        | TXS20PRS000   | 51                  | 51                   | 184 | 89  | 127 | 224  | 266  | 112 | 13 | 8 kg               |
| TXS25PR        | TXS25PRS000   | 64                  | 64                   | 209 | 83  | 164 | 300  | 347  | 150 | 19 | 14 kg              |
| TXS30PR        | TXS30PRS000   | 76                  | 76                   | 235 | 127 | 218 | 408  | 462  | 204 | 25 | 24 kg              |
| TXS35PR        | TXS35PRS000   | 89                  | 89                   | 292 | 127 | 224 | 408  | 473  | 204 | 25 | 28 kg              |
| TXS40PR        | TXS40PRS000   | 102                 | 102                  | 393 | 127 | 238 | 408  | 494  | 204 | 25 | 34 kg              |
| TXS45PR        | TXS45PRS000   | 114                 | 114                  | 317 | 116 | 288 | 492  | 592  | 246 | 37 | 37 kg              |
| TXS50PR        | TXS50PRS000   | 127                 | 127                  | 419 | 116 | 293 | 492  | 604  | 246 | 37 | 44 kg              |
| TXS60PR        | TXS60PRS000   | 152                 | 152                  | 571 | 116 | 304 | 492  | 628  | 246 | 37 | 57 kg              |
| TXS70PR        | TXS70PRS000   | 203                 | 203                  | 391 | 166 | 428 | 673  | 867  | 337 | 37 | 64 kg              |
| TXS80PR        | TXS80PRS000   | 203                 | 203                  | 618 | 166 | 428 | 673  | 867  | 337 | 37 | 98 kg              |
| TXS100PR       | TXS100PRS000  | 254                 | 254                  | 764 | 159 | 541 | 864  | 1101 | 432 | 44 | 159 kg             |
| TXS120PR       | TXS120PRS000  | 305                 | 305                  | 916 | 146 | 627 | 1016 | 1289 | 508 | 57 | 232 kg             |



### Engine Exhaust Silencer & Accessories



MER Equipment, a Division of Marine Engine & Repair Company  
338 West Nickerson, Seattle WA 98119

Local (206)286-1817, Toll Free (800)777-0714, Fax (206)286-1917

Web Site [merequipment.com](http://merequipment.com) E-mail [info@merequipment.com](mailto:info@merequipment.com)