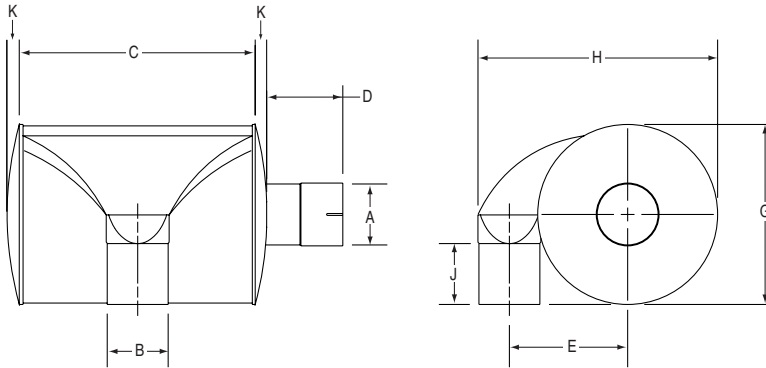




## TXS Critical Grade - PL Model

Typical Insertion Loss 28-33 dbA\*



### Features

- Compact Spiral Chamber Design
- Premium Silencing
- Low Back Pressure
- Low Weight
- Aluminized Steel Construction  
Maximum Temp: 1200 F (650 C)
- Standard High-Temperature Finish
- All MIG Welded Construction
- Steel Wool and Mesh Liner
- Slip-fit Connections Standard

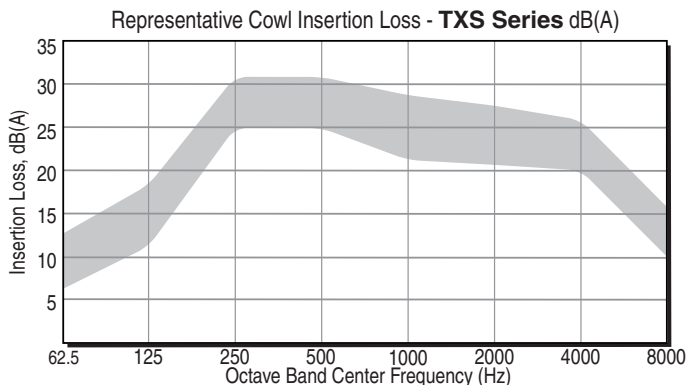
### Options

- Factory Customization Available
- 316L Stainless Steel Construction
- Reverse Flow
- Inlet/Outlet Configurations
- 125/150# A.N.S.I. Flange Connections
- Male/Female N.P.T. Connections
- Exterior Finishes
- Complete line of Accessories and Mounting Brackets

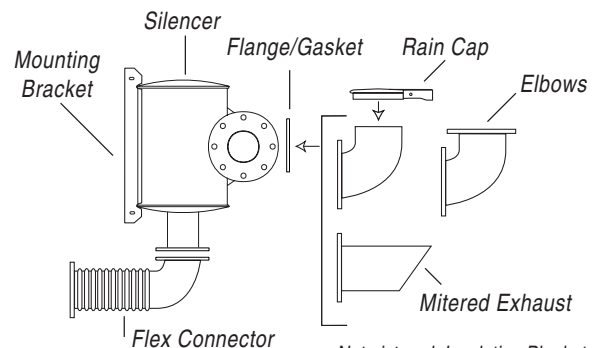
\*Actual insertion loss value may vary by application.  
All measurements in inches unless otherwise noted.

COWL Model No.	COWL Part No.	Inlet A dia. (I.D.)	Outlet B dia. (O.D.)	C	D	E	G	H	J	K	Approximate Weight
TXS15PL	TXS15PLS000	1.50	1.50	5.24	2.50	4.85	8.81	10.03	4.41	0.50	12 lbs
TXS20PL	TXS20PLS000	2.00	2.00	7.24	3.50	5.00	8.81	10.49	4.41	0.50	17 lbs
TXS25PL	TXS25PLS000	2.50	2.50	8.24	3.25	6.45	11.81	13.67	5.91	0.75	31 lbs
TXS30PL	TXS30PLS000	3.00	3.00	9.24	5.00	8.60	16.06	18.20	8.03	1.00	53 lbs
TXS35PL	TXS35PLS000	3.50	3.50	11.49	5.00	8.82	16.06	18.61	8.03	1.00	61 lbs
TXS40PL	TXS40PLS000	4.00	4.00	15.49	5.00	9.37	16.06	19.46	8.03	1.00	75 lbs
TXS45PL	TXS45PLS000	4.50	4.50	12.49	4.55	11.32	19.38	23.32	9.69	1.45	80 lbs
TXS50PL	TXS50PLS000	5.00	5.00	16.49	4.55	11.54	19.38	23.79	9.69	1.45	97 lbs
TXS60PL	TXS60PLS000	6.00	6.00	22.49	4.55	11.98	19.38	24.73	9.69	1.45	124 lbs
TXS70PL	TXS70PLS000	8.00	8.00	15.41	6.55	16.87	26.50	34.12	13.25	1.45	140 lbs
TXS80PL	TXS80PLS000	8.00	8.00	24.33	6.55	16.87	26.50	34.12	13.25	1.45	216 lbs
TXS100PL	TXS100PLS000	10.00	10.00	30.08	6.25	21.28	34.00	43.34	17.00	1.75	350 lbs
TXS120PL	TXS120PLS000	12.00	12.00	36.08	5.75	24.70	40.00	50.76	20.00	2.25	511 lbs

TXS-PL



### Engine Exhaust Silencer & Accessories



Not pictured: Insulation Blanket

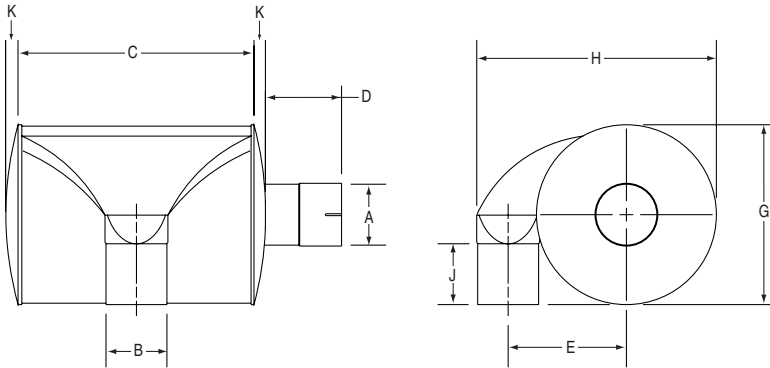
MER Equipment, a Division of Marine Engine & Repair Company  
 338 West Nickerson, Seattle WA 98119  
 Local (206)286-1817, Toll Free (800)777-0714, Fax (206)286-1917  
 Web Site merequipment.com E-mail info@merequipment.com



## TXS Critical Grade - PL Model

Typical Insertion Loss 28-33 dbA\*

Metric Units



### Features

- Compact Spiral Chamber Design
- Premium Silencing
- Low Back Pressure
- Low Weight
- Aluminized Steel Construction  
Maximum Temp: 1200 F (650 C)
- Standard High-Temperature Finish
- All MIG Welded Construction
- Steel Wool and Mesh Liner
- Slip-fit Connections Standard

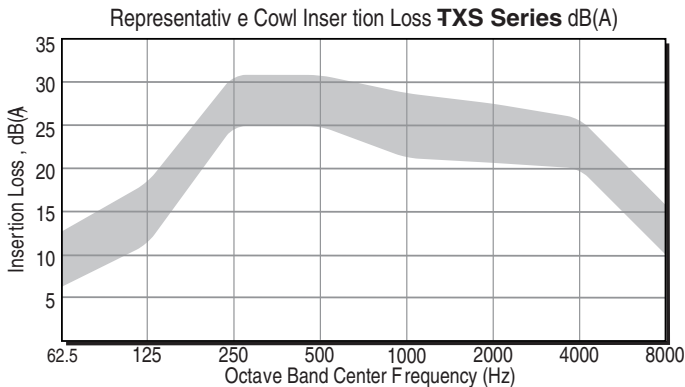
### Options

- Factory Customization Available
- 316L Stainless Steel Construction
- Reverse Flow
- Inlet/Outlet Configurations
- 125/150# A.N.S.I. Flange Connections
- Male/Female N.P.T. Connections
- Exterior Finishes
- Complete line of Accessories and Mounting Brackets

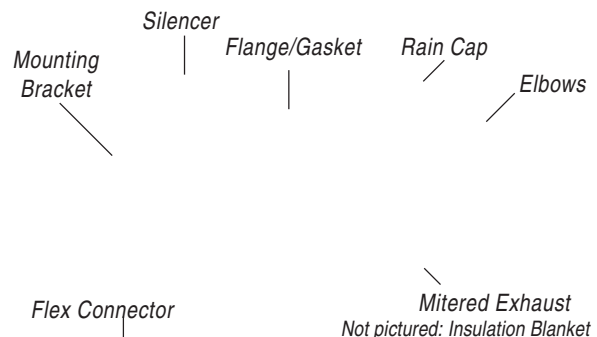
\*Actual insertion loss value may vary by application.

All measurements in millimeters unless otherwise noted.

COWL Model No.	COWL Part No.	Inlet A dia. (I.D.)	Outlet B dia. (O.D.)	C	D	E	G	H	J	K	Approximate Weight
TXS15PL	TXS15PLS000	38	38	133	64	123	224	255	112	13	6 kg
TXS20PL	TXS20PLS000	51	51	184	89	127	224	266	112	13	8 kg
TXS25PL	TXS25PLS000	64	64	209	83	164	300	347	150	19	14 kg
TXS30PL	TXS30PLS000	76	76	235	127	218	408	462	204	25	24 kg
TXS35PL	TXS35PLS000	89	89	292	127	224	408	473	204	25	28 kg
TXS40PL	TXS40PLS000	102	102	393	127	238	408	494	204	25	34 kg
TXS45PL	TXS45PLS000	114	114	317	116	288	492	592	246	37	37 kg
TXS50PL	TXS50PLS000	127	127	419	116	293	492	604	246	37	44 kg
TXS60PL	TXS60PLS000	152	152	571	116	304	492	628	246	37	57 kg
TXS70PL	TXS70PLS000	203	203	391	166	428	673	867	337	37	64 kg
TXS80PL	TXS80PLS000	203	203	618	166	428	673	867	337	37	98 kg
TXS100PL	TXS100PLS000	254	254	764	159	541	864	1101	432	44	159 kg
TXS120PL	TXS120PLS000	305	305	916	146	627	1016	1289	508	57	232 kg



### Engine Exhaust Silencer & Accessories



MER Equipment, a Division of Marine Engine & Repair Company □

338 West Nickerson, Seattle WA 98119 □

Local (206)286-1817, Toll Free (800)777-0714, Fax (206)286-1917 □

Web Site [merequipment.com](http://merequipment.com) E-mail [info@merequipment.com](mailto:info@merequipment.com)