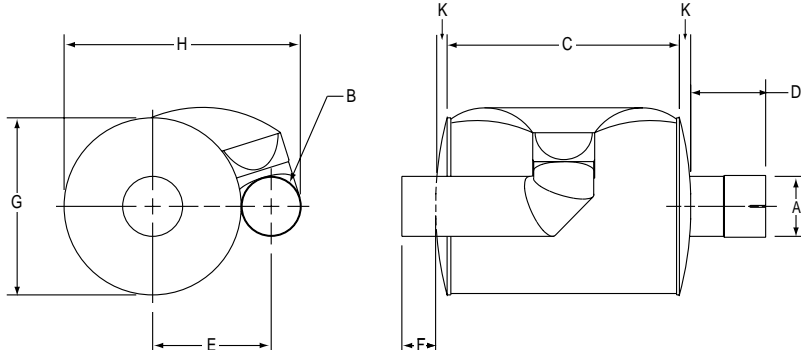




TS Residential Grade - TL Model

Typical Insertion Loss 22-28 dbA*



Features

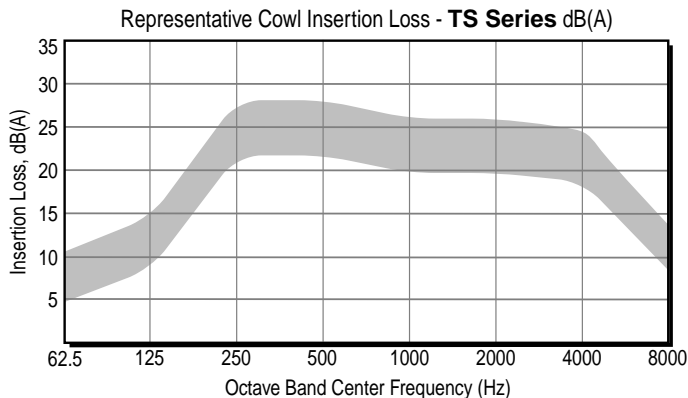
- Compact Spiral Chamber Design
- Premium Silencing
- Low Back Pressure
- Low Weight
- Aluminized Steel Construction
Maximum Temp: 1200 F (650 C)
- Standard High-Temperature Finish
- All MIG Welded Construction
- Steel Wool and Mesh Liner
- Slip-fit Connections Standard

Options

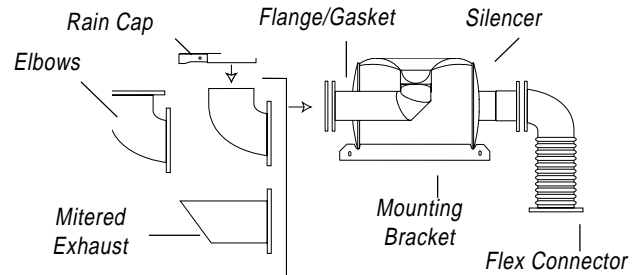
- Factory Customization Available
- 316L Stainless Steel Construction
- Reverse Flow
- Inlet/Outlet Configurations
- 125/150# A.N.S.I. Flange Connections
- Male/Female N.P.T. Connections
- Exterior Finishes
- Complete line of Accessories and Mounting Brackets

*Actual insertion loss value may vary by application.
All measurements in inches unless otherwise noted.

COWL Model No.	COWL Part No.	Inlet A dia. (I.D.)	Outlet B dia. (O.D.)	C	D	E	F	G	H	K	Approximate Weight
TS15TL	TS15TLS000	1.50	1.50	5.24	2.50	4.34	2.07	7.18	8.68	0.50	11 lbs
TS20TL	TS20TLS000	2.00	2.00	7.24	3.50	4.59	2.07	7.18	9.18	0.50	15 lbs
TS25TL	TS25TLS000	2.50	2.50	8.24	3.50	5.66	2.07	8.81	11.31	0.50	20 lbs
TS30TL	TS30TLS000	3.00	3.00	9.24	5.25	7.41	2.07	11.81	14.81	0.75	32 lbs
TS35TL	TS35TLS000	3.50	3.50	11.49	5.25	7.66	2.26	11.81	15.31	0.75	38 lbs
TS40TL	TS40TLS000	4.00	4.00	15.49	5.25	7.91	2.35	11.81	15.81	0.75	47 lbs
TS45TL	TS45TLS000	4.50	4.50	12.49	5.00	10.28	2.57	16.06	20.56	1.00	66 lbs
TS50TL	TS50TLS000	5.00	5.00	16.49	5.00	10.53	2.57	16.06	21.06	1.00	74 lbs
TS60TL	TS60TLS000	6.00	6.00	22.49	5.00	11.03	2.57	16.06	22.06	1.00	94 lbs
TS70TL	TS70TLS000	8.00	8.00	15.35	6.55	15.00	3.97	22.00	30.00	1.45	105 lbs
TS80TL	TS80TLS000	8.00	8.00	24.27	6.55	15.00	3.97	22.00	30.00	1.45	162 lbs
TS100TL	TS100TLS000	10.00	10.00	30.08	6.25	19.00	2.62	28.00	38.00	1.75	268 lbs
TS120TL	TS120TLS000	12.00	12.00	36.08	5.75	22.50	3.71	33.00	45.00	2.25	380 lbs



Engine Exhaust Silencer & Accessories



Not pictured: Insulation Blanket

MER Equipment, a Division of Marine Engine & Repair Company
 338 West Nickerson, Seattle WA 98119
 Local (206)286-1817, Toll Free (800)777-0714, Fax (206)286-1917
 Web Site merequipment.com E-mail info@merequipment.com

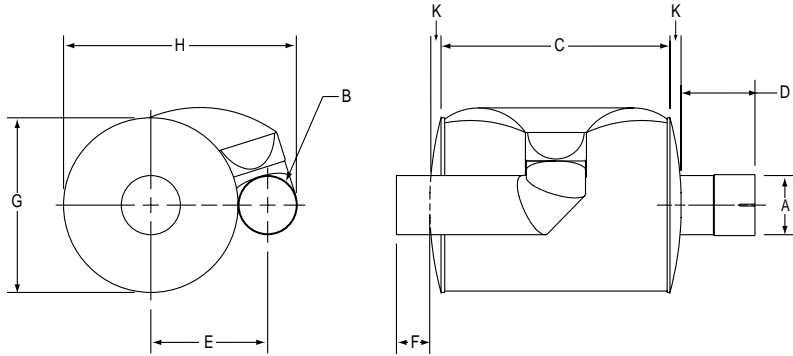
TS-TL



TS Residential Grade - TL Model

Typical Insertion Loss 22-28 dbA*

Metric Units



Features

- Compact Spiral Chamber Design
- Premium Silencing
- Low Back Pressure
- Low Weight
- Aluminized Steel Construction
Maximum Temp: 1200 F (650 C)
- Standard High-Temperature Finish
- All MIG Welded Construction
- Steel Wool and Mesh Liner
- Slip-fit Connections Standard

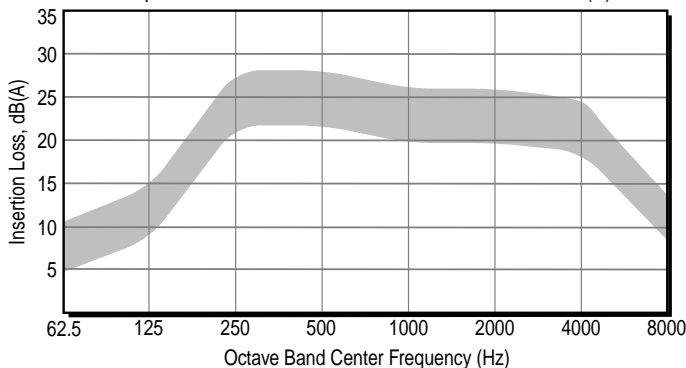
Options

- Factory Customization Available
- 316L Stainless Steel Construction
- Reverse Flow
- Inlet/Outlet Configurations
- 125/150# A.N.S.I. Flange Connections
- Male/Female N.P.T. Connections
- Exterior Finishes
- Complete line of Accessories and Mounting Brackets

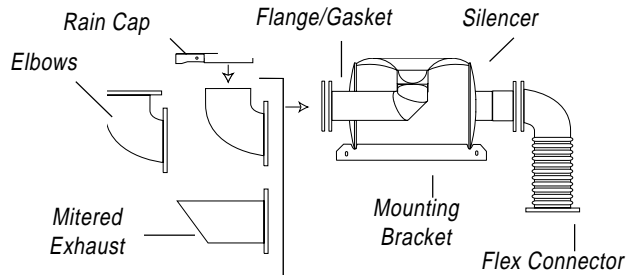
*Actual insertion loss value may vary by application.
All measurements in millimeters unless otherwise noted.

COWL Model No.	COWL Part No.	Inlet A dia. (I.D.)	Outlet B dia. (O.D.)	C	E	F	G	H	K	Approximate Weight	
TS15TL	TS15TLS000	38	38	133	64	110	53	182	220	13	5 kg
TS20TL	TS20TLS000	51	51	184	89	117	53	182	233	13	7 kg
TS25TL	TS25TLS000	64	64	209	89	144	53	224	287	13	9 kg
TS30TL	TS30TLS000	76	76	235	133	188	53	300	376	19	15 kg
TS35TL	TS35TLS000	89	89	292	133	195	57	300	389	19	18 kg
TS40TL	TS40TLS000	102	102	393	133	201	60	300	402	19	22 kg
TS45TL	TS45TLS000	114	114	317	127	261	65	408	522	25	30 kg
TS50TL	TS50TLS000	127	127	419	127	267	65	408	535	25	34 kg
TS60TL	TS60TLS000	152	152	571	127	280	65	408	560	25	43 kg
TS70TL	TS70TLS000	203	203	390	166	381	101	559	762	37	48 kg
TS80TL	TS80TLS000	203	203	616	166	381	101	559	762	37	74 kg
TS100TL	TS100TLS000	254	254	764	159	483	67	711	965	44	122 kg
TS120TL	TS120TLS000	305	305	916	146	572	94	838	1143	57	173 kg

Representative Cowl Insertion Loss - TS Series dB(A)



Engine Exhaust Silencer & Accessories



Not pictured: Insulation Blanket

MER Equipment, a Division of Marine Engine & Repair Company
338 West Nickerson, Seattle WA 98119

Local (206)286-1817, Toll Free (800)777-0714, Fax (206)286-1917

Web Site merequipment.com E-mail info@merequipment.com