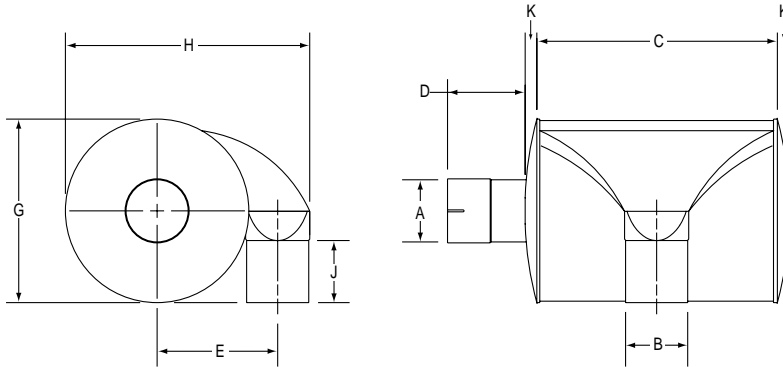




# TS Residential Grade - PR Model

Typical Insertion Loss 22-28 dbA\*



### Features

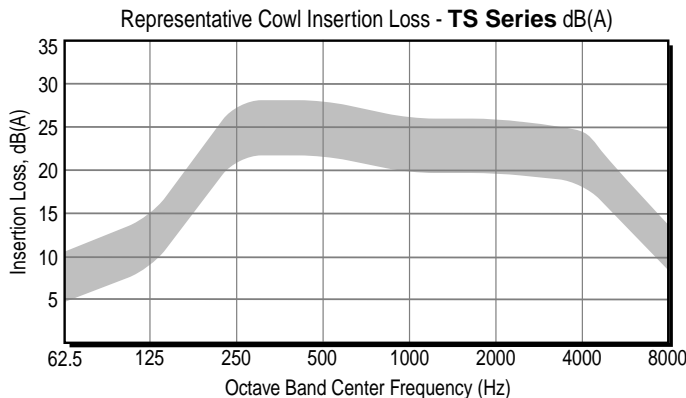
- Compact Spiral Chamber Design
- Premium Silencing
- Low Back Pressure
- Low Weight
- Aluminized Steel Construction  
Maximum Temp: 1200 F (650 C)
- Standard High-Temperature Finish
- All MIG Welded Construction
- Steel Wool and Mesh Liner
- Slip-fit Connections Standard

### Options

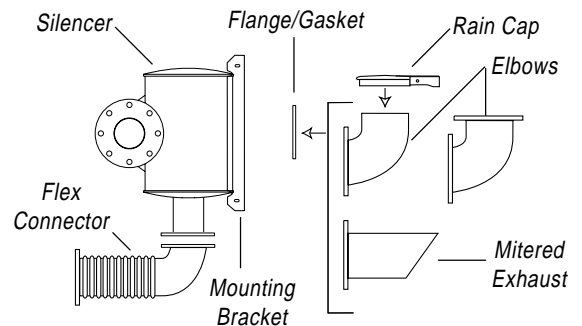
- Factory Customization Available
- 316L Stainless Steel Construction
- Reverse Flow
- Inlet/Outlet Configurations
- 125/150# A.N.S.I. Flange Connections
- Male/Female N.P.T. Connections
- Exterior Finishes
- Complete line of Accessories and Mounting Brackets

\*Actual insertion loss value may vary by application.  
All measurements in inches unless otherwise noted.

COWL Model No.	COWL Part No.	Inlet A dia. (I.D.)	Outlet B dia. (O.D.)	C	D	E	G	H	J	K	Approximate Weight
TS15PR	TS15PRS000	1.50	1.50	5.24	2.50	4.12	7.18	8.55	3.59	0.50	10 lbs
TS20PR	TS20PRS000	2.00	2.00	7.24	3.50	4.37	7.18	9.05	3.59	0.50	14 lbs
TS25PR	TS25PRS000	2.50	2.50	8.24	3.50	5.41	8.81	11.13	4.41	0.50	19 lbs
TS30PR	TS30PRS000	3.00	3.00	9.24	5.25	7.05	11.81	14.52	5.91	0.75	31 lbs
TS35PR	TS35PRS000	3.50	3.50	11.49	5.25	7.26	11.81	14.92	5.91	0.75	38 lbs
TS40PR	TS40PRS000	4.00	4.00	15.49	5.25	7.76	11.81	15.73	5.91	0.75	46 lbs
TS45PR	TS45PRS000	4.50	4.50	12.49	5.00	10.04	16.06	20.38	8.03	1.00	65 lbs
TS50PR	TS50PRS000	5.00	5.00	16.49	5.00	10.27	16.06	20.84	8.03	1.00	71 lbs
TS60PR	TS60PRS000	6.00	6.00	22.49	5.00	10.65	16.06	21.74	8.03	1.00	92 lbs
TS70PR	TS70PRS000	8.00	8.00	15.35	6.55	14.58	22.00	29.72	11.00	1.45	100 lbs
TS80PR	TS80PRS000	8.00	8.00	24.27	6.55	14.58	22.00	29.72	11.00	1.45	154 lbs
TS100PR	TS100PRS000	10.00	10.00	30.08	6.25	18.14	28.00	37.15	14.00	1.75	250 lbs
TS120PR	TS120PRS000	12.00	12.00	36.08	5.75	21.63	33.00	44.19	16.50	2.25	365 lbs



### Engine Exhaust Silencer & Accessories



Not pictured: Insulation Blanket

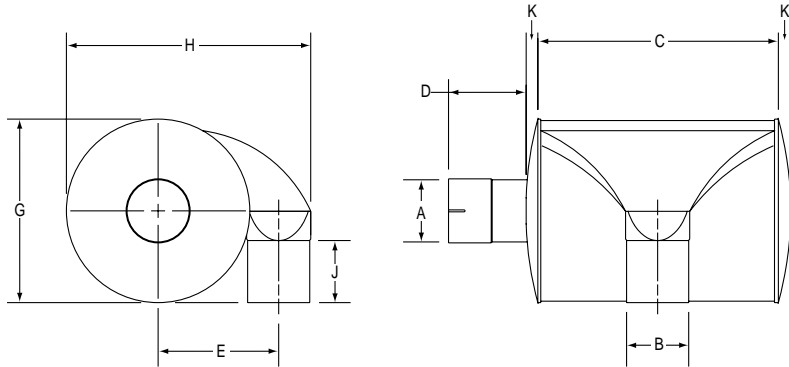
MER Equipment, a Division of Marine Engine & Repair Company  
 338 West Nickerson, Seattle WA 98119  
 Local (206)286-1817, Toll Free (800)777-0714, Fax (206)286-1917  
 Web Site merequipment.com E-mail info@merequipment.com



## TS Residential Grade - PR Model

Typical Insertion Loss 22-28 dbA\*

Metric Units



### Features

- Compact Spiral Chamber Design
- Premium Silencing
- Low Back Pressure
- Low Weight
- Aluminized Steel Construction  
Maximum Temp: 1200 F (650 C)
- Standard High-Temperature Finish
- All MIG Welded Construction
- Steel Wool and Mesh Liner
- Slip-fit Connections Standard

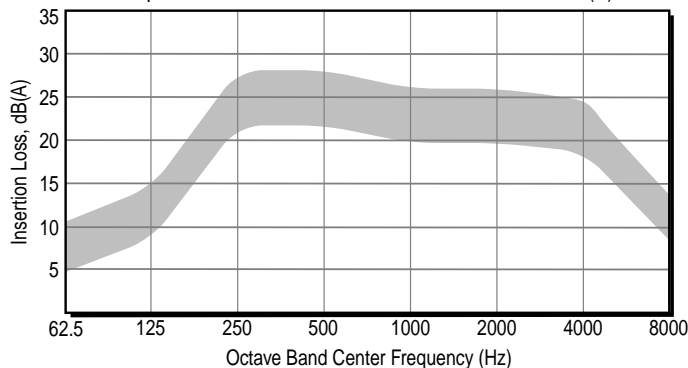
### Options

- Factory Customization Available
- 316L Stainless Steel Construction
- Reverse Flow
- Inlet/Outlet Configurations
- 125/150# A.N.S.I. Flange Connections
- Male/Female N.P.T. Connections
- Exterior Finishes
- Complete line of Accessories and Mounting Brackets

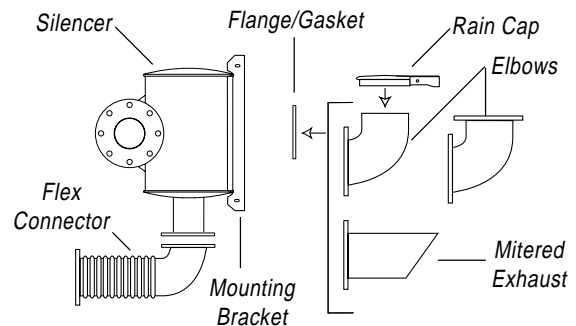
\*Actual insertion loss value may vary by application.  
All measurements in millimeters unless otherwise noted.

COWL Model No.	COWL Part No.	Inlet A dia. (I.D.)	Outlet B dia. (O.D.)	C	D	E	G	H	J	K	Approximate Weight
TS15PR	TS15PRS000	38	38	133	64	105	182	217	91	13	5 kg
TS20PR	TS20PRS000	51	51	184	89	111	182	230	91	13	7 kg
TS25PR	TS25PRS000	64	64	209	89	137	224	283	112	13	9 kg
TS30PR	TS30PRS000	76	76	235	133	179	300	369	150	19	14 kg
TS35PR	TS35PRS000	89	89	292	133	184	300	379	150	19	18 kg
TS40PR	TS40PRS000	102	102	393	133	197	300	400	150	19	21 kg
TS45PR	TS45PRS000	114	114	317	127	255	408	518	204	25	30 kg
TS50PR	TS50PRS000	127	127	419	127	261	408	529	204	25	33 kg
TS60PR	TS60PRS000	152	152	571	127	271	408	552	204	25	42 kg
TS70PR	TS70PRS000	203	203	390	166	370	559	755	279	37	46 kg
TS80PR	TS80PRS000	203	203	616	166	370	559	755	279	37	70 kg
TS100PR	TS100PRS000	254	254	764	159	461	711	944	356	44	114 kg
TS120PR	TS120PRS000	305	305	916	146	549	838	1122	419	57	166 kg

Representative Cowl Insertion Loss - TS Series dB(A)



### Engine Exhaust Silencer & Accessories



Not pictured: Insulation Blanket

MER Equipment, a Division of Marine Engine & Repair Company  
338 West Nickerson, Seattle WA 98119

Local (206)286-1817, Toll Free (800)777-0714, Fax (206)286-1917  
Web Site [merequipment.com](http://merequipment.com) E-mail [info@merequipment.com](mailto:info@merequipment.com)