

LOAD MASTER

99kW_e

MG45A99



GENERAL DATA

Engine – 4045AFM85

Number of Cylinders.....4
Displacement – cu. in (L).....275 (4.5)
Bore X Stroke – in. (mm).....107x127(4.21x5.00)
Compression Ratio.....16.7:1
Aspiration...Turbocharged, air to coolant aftercooled

Generator, 3 Phase 120/208-277/480

Temperature Rise.....80 C
Drip Proof.....Yes
PMG.....Standard
Digital Voltage Regulator.....Standard

Package

Weight.....2,480 lbs (KC)
Length w PMG – in(mm).....72.31(1836.67)
Width – in (mm).....34.01 (863.85)
Height – in (mm).....42.15 (1076.60)
Bulkhead Coast Guard Approved Fuel Lines.....Yes
- 1/2" NPT Supply
- 1/2" NPT Return

FEATURES AND OPTIONS

Proven Reliable Generator End

Marathon Series with PMG and DVR

John Deere Basic Control Panel

Complete engine systems monitoring including oil pressure, coolant temperature, engine hours, and engine diagnostics. Includes start/stop.

Optional Control Panel

Complete engine systems monitoring including oil pressure, coolant temperature, engine hours, and engine diagnostics. Optional panel includes monitoring for AC Volts, Amperes, and Hertz. Includes three external shutdown inputs plus remote start contacts.

Fuel System

HPCR

Front PTO Capability

Up to 664 ft lbs continuous output at rated RPM, Not to exceed engine rated HP less generator load.

Auxiliary Drive Options

Offset, 'A'/'B' Pads for keel cooled engine

Engine/Generator Mounting

- Vibration isolated
- Fully welded steel skid

Corrosion Resistant Engine Components

Provides engine protection from the effects of seawater

Fresh Water Cooled Engine Options

- High-capacity heat exchanger
- Keel cooled for reliable operation in adverse conditions

Emissions/Certification

- US EPA Marine Tier III Commercial Compliant
- EPA EIAPP documentation available
- ABS certification pending



JOHN DEERE

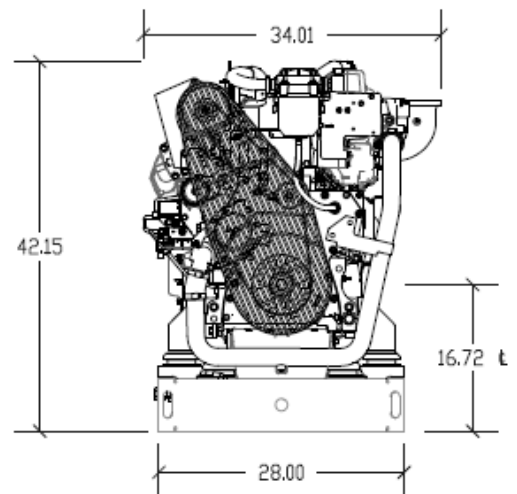
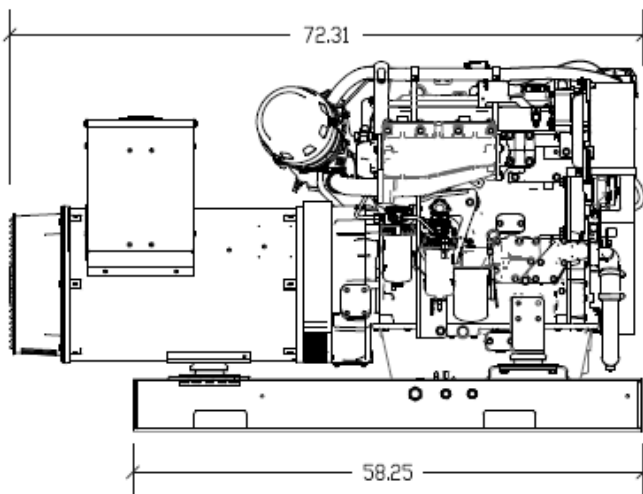


Marine Gensets

Generator Engine Performance Data

Engine Power	Crank Power		Crank Torque		Fuel Consumption		BSFC
	kW	HP	Nm	lb-ft	L/hr	gal/hr	
25%	27.5	36.9	145.9	107.6	9.1	2.4	280.7
50%	55.0	73.8	291.8	215.2	16.1	4.3	248.8
75%	82.5	110.6	437.7	322.8	22.4	5.9	231.1
100%	110.0	147.5	583.6	430.4	28.9	7.6	223.3
110%	121.0	162.3	642.0	473.5	31.6	8.3	221.8

Dimensions



Data based on keel cooled engine Specifications and design subject to change without notice



JOHN DEERE

LoadMaster gensets are packaged by an authorized John Deere distributor.