

LOAD MASTER

65kW_e

MG45T65



FEATURES AND OPTIONS

Proven Reliable Generator End

Marathon Series with PMG and DVR

John Deere Basic Control Panel

Complete engine systems monitoring including oil pressure, coolant temperature, engine hours, and engine diagnostics. Includes start/stop.

Optional Control Panel

Complete engine systems monitoring including oil pressure, coolant temperature, engine hours, and engine diagnostics. Optional panel includes monitoring for AC Volts, Amperes, and Hertz. Includes three external shutdown inputs plus remote start contacts.

Fuel System

HPCR

Front PTO Capability for Keel Cooled Engine

Up to 664 ft lbs continuous output at rated RPM, Not to exceed engine rated HP less generator load.

Auxiliary Drive

Offset, 'A'/'B' Pads for keel cooled engine

Engine/Generator Mounting

- Vibration isolated
- Fully welded steel skid

Corrosion Resistant Engine Components

Provides engine protection from the effects of seawater

Fresh Water Cooled Engine Options

- High-capacity heat exchanger
- Keel cooled for reliable operation in adverse conditions

Emissions/Certification

- US EPA Marine Tier III Commercial Compliant
- EPA EIAPP documentation available
- ABS certification pending

GENERAL DATA

Engine – 4045TFM85

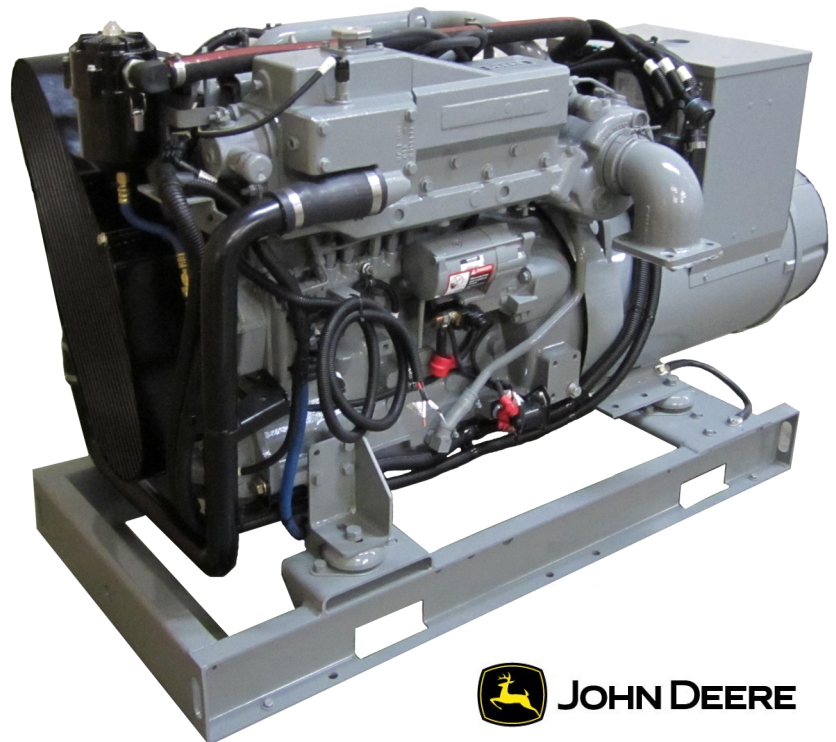
Number of Cylinders.....	4
Displacement – cu. in (L).....	275 (4.5)
Bore X Stroke – in. (mm).....	4.17X5.00 (106X127)
Compression Ratio.....	16:1
Aspiration.....	Turbocharged

Generator, 3 Phase 120/208-277/480

Temperature Rise.....	.80 C
Drip Proof.....	Yes
PMG.....	Standard
Digital Voltage Regulator.....	Standard

Package

Weight.....	2,170 lbs (KC)
Length w PMG – in(mm).....	69.39(1762.5)
Width – in (mm).....	31.99(812.55)
Height – in (mm).....	42.21(1072.1)
Bulkhead Coast Guard Approved Fuel Lines.....	Yes
-1/2" NPT Supply	
-1/2" NPT Return	



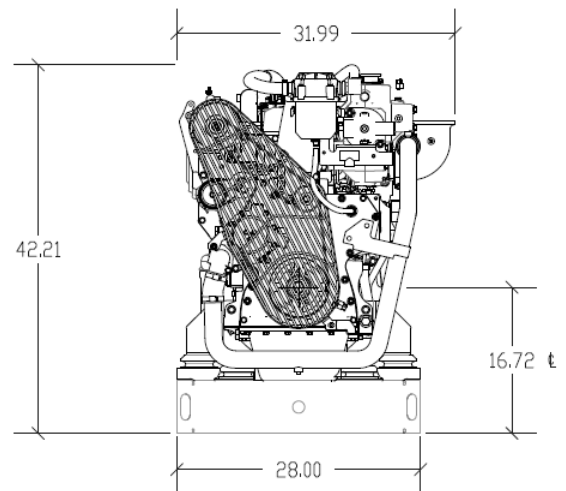
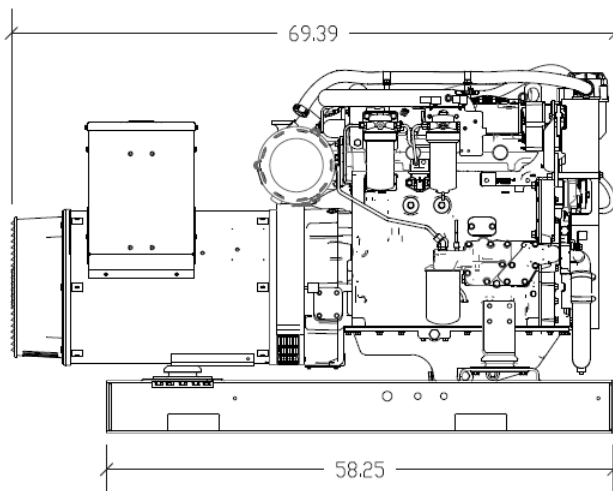


Marine Gensets

Generator Engine Performance Data

ENGINE POWER	CRANK POWER		CRANK TORQUE		FUEL CONSUMPTION		BSFC
	KW	HP	NM	LB-FT	L/HR	GAL/HR	
25%	18	25	98	72	6.5	1.7	298
50%	37	49	195	144	10.8	2.9	250
75%	55	74	293	216	16.4	4.3	252
100%	74	99	391	288	20.8	5.5	241
110%	81	109	430	317	22.4	5.9	235

Dimensions



Data based on keel cooled engine. Specifications and design subject to change without notice.



LoadMaster gensets are packaged by an authorized John Deere distributor.