

LOAD MASTER

300kW_e

MG135A300



FEATURES AND OPTIONS

Proven Reliable Generator End

Marathon Series with PMG and DVR

John Deere Basic Control Panel

Complete engine systems monitoring including oil pressure, coolant temperature, engine hours, and engine diagnostics. Includes start/stop.

Optional Control Panel

Complete engine systems monitoring including oil pressure, coolant temperature, engine hours, and engine diagnostics. Optional panel includes monitoring for AC Volts, Amperes, and Hertz. Includes three external shutdown inputs plus remote start contacts.

Fuel System

Unit Injection

Front PTO Capability

Up to 400 ft lbs continuous output at rated RPM, Not to exceed engine rated HP less generator load

Auxiliary Drive

Offset, 'A'/'B' Pads

Engine/Generator Mounting

- Vibration isolated
- Fully welded steel skid

Corrosion Resistant Engine Components

Provides engine protection from the effects of seawater

Fresh Water Cooled Engine Options

- High-capacity heat exchanger
- Keel cooled for reliable operation in adverse conditions

Emissions/Certification

- US EPA Marine Tier III Commercial Compliant
- EPA EIAPP documentation available
- ABS certificate available

GENERAL DATA

Engine – 6135AFM85

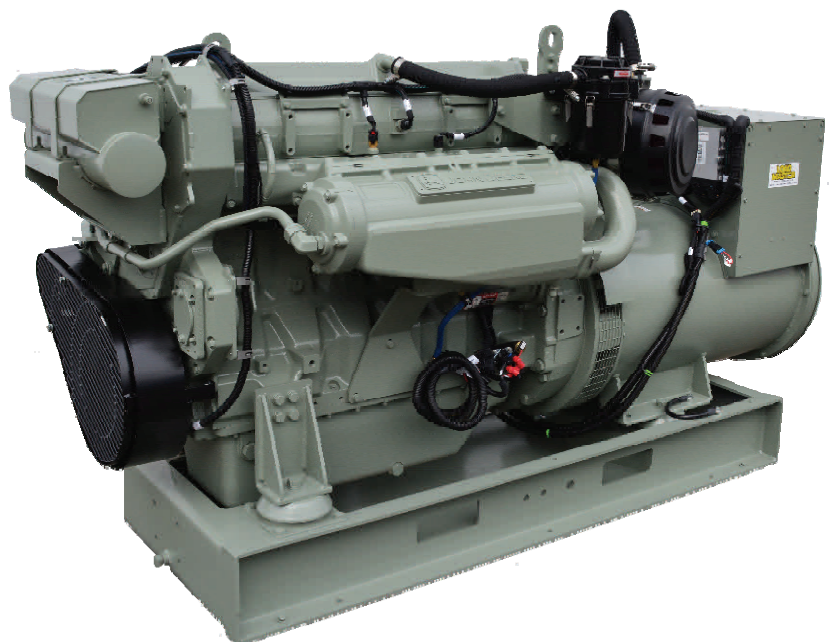
Number of Cylinders.....	6
Displacement – cu. in (L).....	824 (13.4)
Bore X Stroke – in. (mm).....	5.20X6.50 (132X165)
Compression Ratio.....	16.0:1
Turbocharged and air to coolant aftercooled	

Generator, 3 Phase 120/208-277/480

Temperature Rise.....	80 C
Drip Proof.....	Yes
PMG.....	Standard
Digital Voltage Regulator.....	Standard

Package

Weight.....	5900 lbs (estimate)
Length w PMG – in(mm).....	102.93 (2614.42)
Width – in (mm).....	42.24 (1072.90)
Height – in (mm).....	56.98 (1447.29)
Bulkhead Coast Guard Approved Fuel Lines.....	Yes
- 1/2" NPT Supply	
- 1/2" NPT Return	



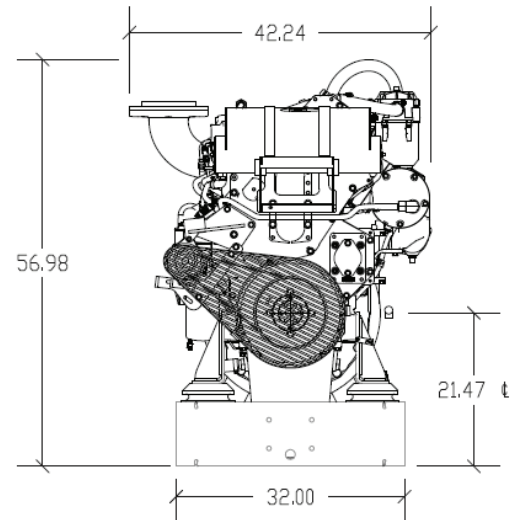
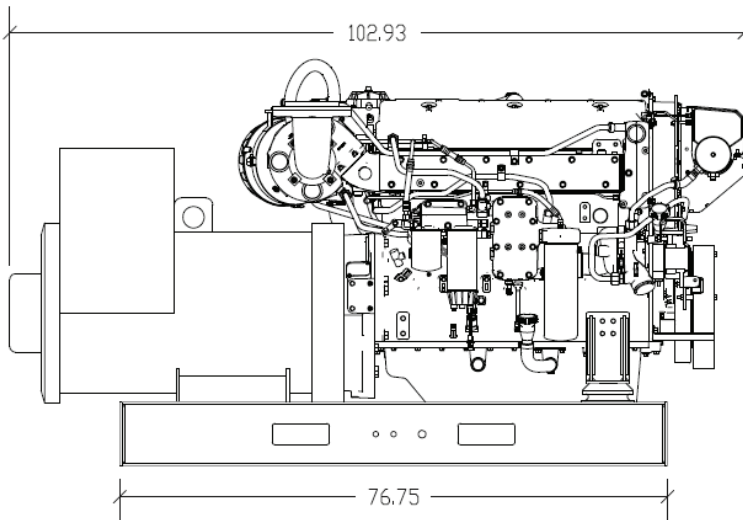


Marine Gensets

Generator Engine Performance Data

ENGINE POWER	CRANK POWER		CRANK TORQUE		FUEL CONSUMPTION		BSFC
	KW	HP	NM	LB-FT	L/HR	GAL/HR	
25%	83	112	442	326	26.5	7.0	270
50%	167	224	885	653	46.8	12.4	238
75%	250	336	1327	979	67.8	17.9	230
100%	334	447	1770	1305	86.6	22.9	221
110%	367	492	1947	1436	99.6	26.3	231

Dimensions



Data based on keel cooled engine.
Specifications and design subject to change without notice.



LoadMaster gensets are packaged by an authorized John Deere distributor.