

LOAD MASTER

150kW_e

MG68A150



FEATURES AND OPTIONS

Proven Reliable Generator End

Marathon Series

Standard Control Panel

Complete engine systems monitoring including oil pressure, coolant temperature, engine hours, and engine diagnostics.

Optional Control Panel

Complete engine systems monitoring including oil pressure, coolant temperature, engine hours, and engine diagnostics. Optional panel includes monitoring for AC Volts, Amperes, and Hertz. Includes three external shutdown inputs plus remote start contacts.

Fuel System

HPCR

Front PTO Capability

Up to 664 ft lbs continuous output at rated RPM, Not to exceed engine rated HP less generator load.

Engine/Generator Mounting

- Vibration isolated
- Fully welded steel skid

Corrosion Resistant Engine Components

Provides engine protection from the effects of seawater

Fresh Water Cooled Engine Options

- High-capacity heat exchanger designed for reliable operation in adverse conditions
- Keel cooled for reliable efficient heat transfer

Emissions

- US EPA Marine Tier III Commercial Compliant
- EPA EIAPP Documentation Available
- ABS Certificate Available

GENERAL DATA

Engine – 6068AFM85

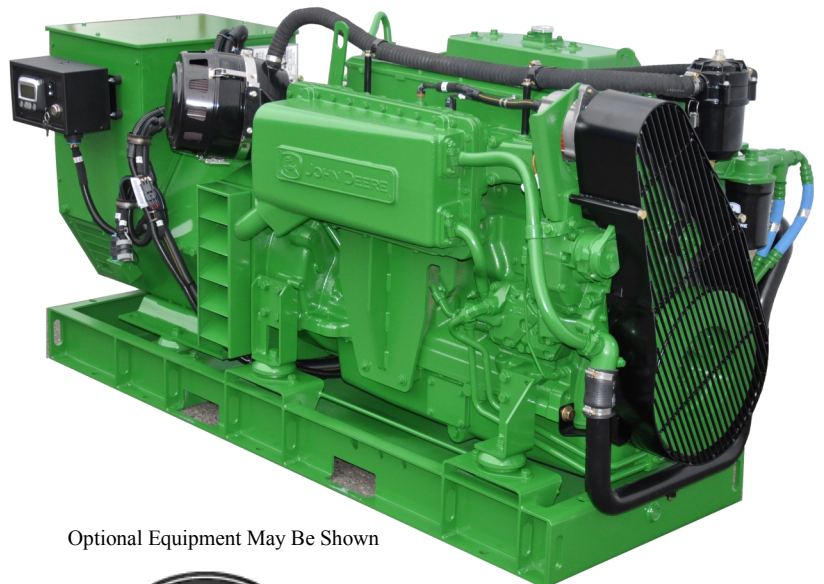
Number of Cylinders.....	6
Displacement – cu. in (L).....	415 (6.8)
Bore X Stroke – in. (mm).....	4.19X5.00 (106.5X127)
Compression Ratio.....	16.7:1
Aspiration.....	Turbo Charged and Aftercooled

Generator, 3 Phase 120/208-277/480

Temperature Rise.....	80 C
Drip Proof.....	Yes
PMG.....	Standard
Digital Voltage Regulator.....	Standard

Package

Weight – LB(KG).....	3400(7480)
Length with PMG.....	84.42(2144.3)
Width.....	32.74(831.60)
Height.....	44.66(1134.4)
Bulkhead Coast Guard Approved Fuel Lines.....	Yes
Fuel Line Supply-8 JIC	
Fuel Line Return-8 JIC	
Oil Drain Line-10 JIC	



Optional Equipment May Be Shown



JOHN DEERE

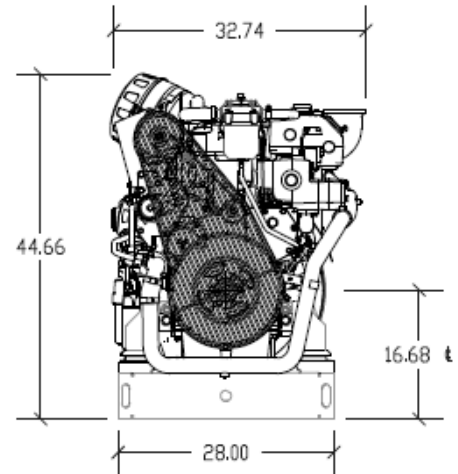
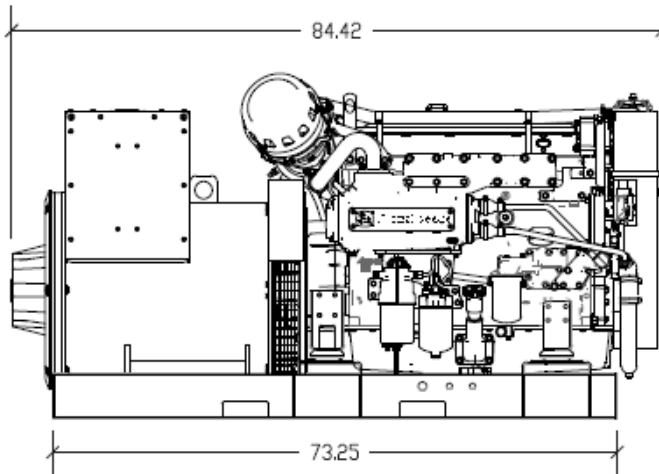


Marine Gensets

Generator Engine Performance Data

ENGINE POWER	CRANK POWER		CRANK TORQUE		FUEL CONSUMPTION		BSFC
	KW	HP	NM	LB-FT	L/HR	GAL/HR	
25%	42	56	221	163	14.3	3.8	291
50%	83	112	441	326	24.7	6.5	253
75%	125	167	662	488	36.3	9.6	248
100%	166	223	883	651	46.1	12.2	236
110%	183	245	971	716	49.7	13.1	231

Dimensions



Data based on keel cooled engine.
Specifications and design subject to change without notice.



LoadMaster gensets are packaged by an authorized John Deere distributor.