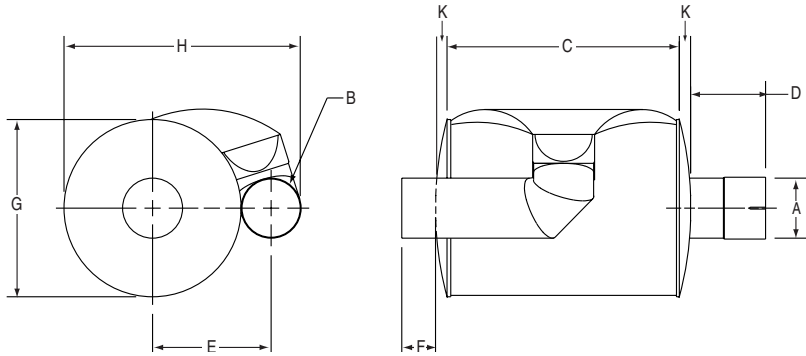




TXS Critical Grade - TL Model

Typical Insertion Loss 28-33 dbA*



Features

- Compact Spiral Chamber Design
- Premium Silencing
- Low Back Pressure
- Low Weight
- Aluminized Steel Construction
Maximum Temp: 1200 °F (650 °C)
- Standard High-Temperature Finish
- All MIG Welded Construction
- Steel Wool and Mesh Liner
- Slip-fit Connections Standard

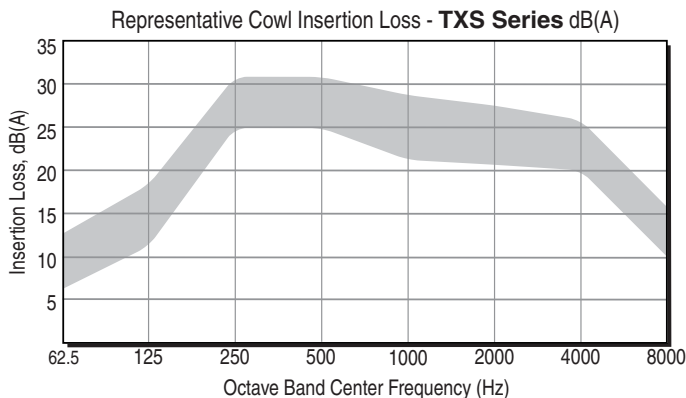
Options

- Factory Customization Available
- 316L Stainless Steel Construction
- Reverse Flow
- Inlet/Outlet Configurations
- 125/150# A.N.S.I. Flange Connections
- Male/Female N.P.T. Connections
- Exterior Finishes
- Complete line of Accessories and Mounting Brackets

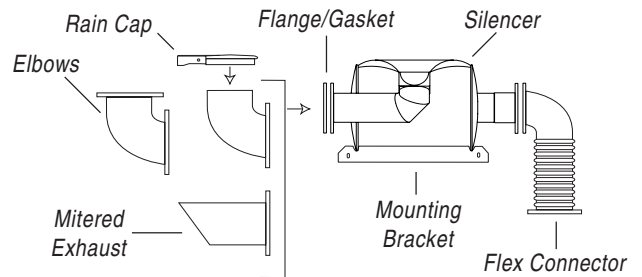
*Actual insertion loss value may vary by application.
All measurements in inches unless otherwise noted.

COWL Model No.	COWL Part No.	Inlet A dia. (I.D.)	Outlet B dia. (O.D.)	C	D	E	F	G	H	K	Approximate Weight
TXS15TL	TXS15TLS000	1.50	1.50	5.24	2.50	5.19	2.07	8.81	10.38	0.50	14 lbs
TXS20TL	TXS20TLS000	2.00	2.00	7.24	3.50	5.41	2.07	8.81	10.81	0.50	19 lbs
TXS25TL	TXS25TLS000	2.50	2.50	8.24	3.25	7.16	1.82	11.81	14.31	0.75	32 lbs
TXS30TL	TXS30TLS000	3.00	3.00	9.24	5.00	9.53	2.07	16.06	19.06	1.00	52 lbs
TXS35TL	TXS35TLS000	3.50	3.50	11.49	5.00	9.78	2.07	16.06	19.56	1.00	63 lbs
TXS40TL	TXS40TLS000	4.00	4.00	15.49	5.00	10.03	2.07	16.06	20.06	1.00	77 lbs
TXS45TL	TXS45TLS000	4.50	4.50	12.49	4.55	11.94	1.46	19.38	23.88	1.45	81 lbs
TXS50TL	TXS50TLS000	5.00	5.00	16.49	4.55	12.19	2.12	19.38	24.38	1.45	98 lbs
TXS60TL	TXS60TLS000	6.00	6.00	22.49	4.55	12.69	2.05	19.38	25.38	1.45	137 lbs
TXS70TL	TXS70TLS000	8.00	8.00	15.41	6.55	17.25	3.97	26.50	34.50	1.45	147 lbs
TXS80TL	TXS80TLS000	8.00	8.00	24.33	6.55	17.25	3.97	26.50	34.50	1.45	227 lbs
TXS100TL	TXS100TLS000	10.00	10.00	30.08	6.25	22.00	2.62	34.00	44.00	1.75	375 lbs
TXS120TL	TXS120TLS000	12.00	12.00	36.08	5.75	26.00	3.71	40.00	52.00	2.25	532 lbs

TXS-TL



Engine Exhaust Silencer & Accessories

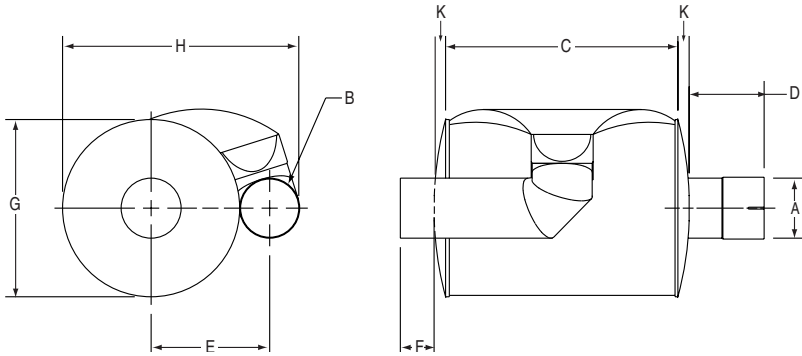


Not pictured: Insulation Blanket

TXS Critical Grade - TL Model

Typical Insertion Loss 28-33 dbA*

Metric Units



Features

- Compact Spiral Chamber Design
- Premium Silencing
- Low Back Pressure
- Low Weight
- Aluminized Steel Construction
Maximum Temp: 1200 °F (650 °C)
- Standard High-Temperature Finish
- All MIG Welded Construction
- Steel Wool and Mesh Liner
- Slip-fit Connections Standard

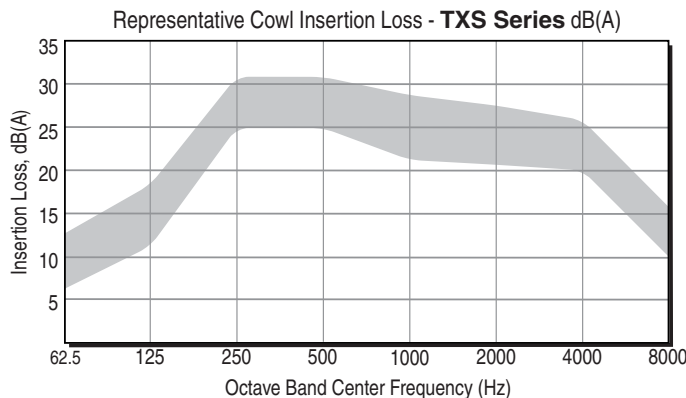
Options

- Factory Customization Available
- 316L Stainless Steel Construction
- Reverse Flow
- Inlet/Outlet Configurations
- 125/150# A.N.S.I. Flange Connections
- Male/Female N.P.T. Connections
- Exterior Finishes
- Complete line of Accessories and Mounting Brackets

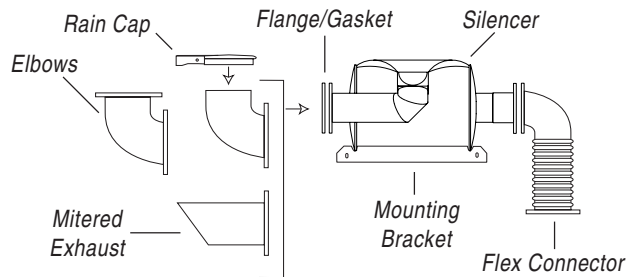
*Actual insertion loss value may vary by application.

All measurements in millimeters unless otherwise noted.

COWL Model No.	COWL Part No.	Inlet A dia. (I.D.)	Outlet B dia. (O.D.)	C	D	E	F	G	H	K	Approximate Weight
TXS15TL	TXS15TLS000	38	38	133	64	132	53	224	264	13	7 kg
TXS20TL	TXS20TLS000	51	51	184	89	137	53	224	275	13	9 kg
TXS25TL	TXS25TLS000	64	64	209	83	182	46	300	363	19	15 kg
TXS30TL	TXS30TLS000	76	76	235	127	242	53	408	484	25	24 kg
TXS35TL	TXS35TLS000	89	89	292	127	248	53	408	497	25	29 kg
TXS40TL	TXS40TLS000	102	102	393	127	255	53	408	510	25	35 kg
TXS45TL	TXS45TLS000	114	114	317	116	303	37	492	607	37	37 kg
TXS50TL	TXS50TLS000	127	127	419	116	310	54	492	619	37	45 kg
TXS60TL	TXS60TLS000	152	152	571	116	322	52	492	645	37	63 kg
TXS70TL	TXS70TLS000	203	203	391	166	438	101	673	876	37	67 kg
TXS80TL	TXS80TLS000	203	203	618	166	438	101	673	876	37	103 kg
TXS100TL	TXS100TLS000	254	254	764	159	559	67	864	1118	44	171 kg
TXS120TL	TXS120TLS000	305	305	916	146	660	94	1016	1321	57	242 kg



Engine Exhaust Silencer & Accessories



Not pictured: Insulation Blanket