

## TXS Critical Grade - PV Model

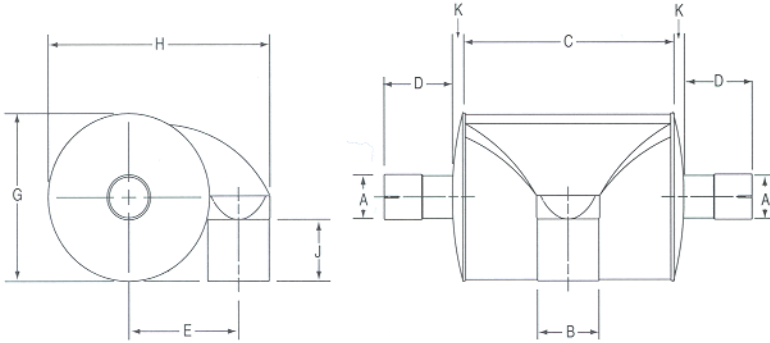
Typical Insertion Loss 28-33 dbA\*

### Features

- Compact Spiral Chamber Design
- Premium Silencing
- Low Back Pressure
- Low Weight
- Aluminized Steel Construction  
Maximum Temp: 1200 °F (650 °C)
- Standard High-Temperature Finish
- All MIG Welded Construction
- Steel Wool and Mesh Liner
- Slip-fit Connections Standard

### Options

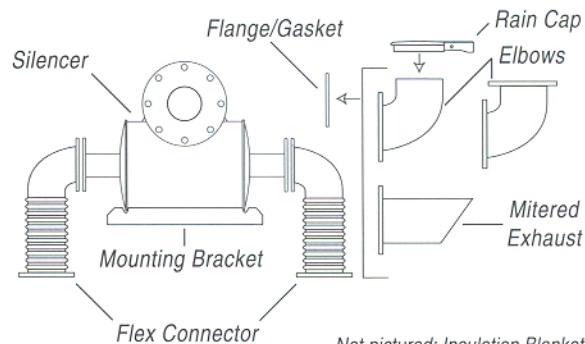
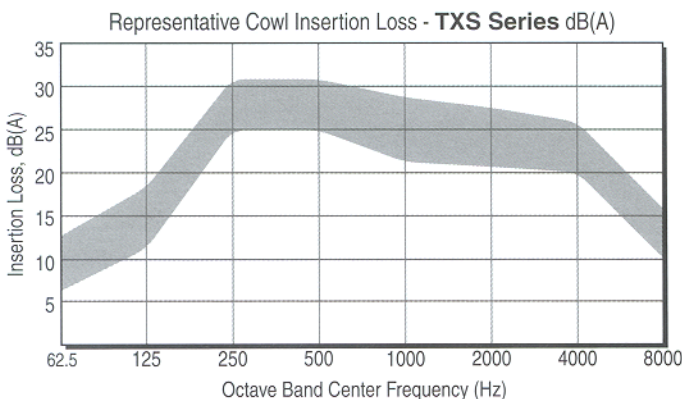
- Factory Customization Available
- 316L Stainless Steel Construction
- Reverse Flow
- Inlet/Outlet Configurations
- 125/150# A.N.S.I. Flange Connections
- Male/Female N.P.T. Connections
- Exterior Finishes
- Complete line of Accessories and Mounting Brackets



\*Actual insertion loss value may vary by application.  
All measurements in inches unless otherwise noted.

COWL Model No.	COWL Part No.	Inlet A dia. (I.D.)	Outlet B dia. (O.D.)	C	D	E	G	H	J	K	Approximate Weight
TXS20PV30	TXS20PV30S000	2.00	3.00	9.24	3.00	8.60	16.06	18.20	4.75	1.00	50 lbs
TXS25PV35	TXS25PV35S000	2.50	3.50	11.49	3.00	8.82	16.06	18.61	4.38	1.00	62 lbs
TXS30PV45	TXS30PV45S000	3.00	4.50	15.49	5.00	9.37	16.06	19.46	6.50	1.00	76 lbs
TXS35PV50	TXS35PV50S000	3.50	5.00	16.50	4.55	11.32	19.38	23.79	6.50	1.45	97 lbs
TXS40PV60	TXS40PV60S000	4.00	6.00	22.49	4.55	11.54	19.38	24.73	5.25	1.45	125 lbs
TXS45PV60	TXS45PV60S000	4.50	6.00	22.49	4.55	11.98	19.38	24.73	5.25	1.45	126 lbs
TXS50PV70	TXS50PV70S000	5.00	8.00	15.41	4.55	16.87	26.50	34.12	9.25	1.45	150 lbs
TXS50PV80	TXS50PV80S000	5.00	8.00	24.33	4.55	16.87	26.50	34.12	9.25	1.45	230 lbs
TXS60PV80	TXS60PV80S000	6.00	8.00	24.33	4.55	16.87	26.50	34.12	9.25	1.45	230 lbs
TXS80PV100	TXS80PV100S000	8.00	10.00	30.08	6.25	21.28	34.00	43.34	11.75	1.75	375 lbs
TXS80PV120	TXS80PV120S000	8.00	12.00	36.08	5.75	24.70	40.00	50.76	13.62	2.25	532 lbs

### Engine Exhaust Silencer & Accessories



Not pictured: Insulation Blanket

